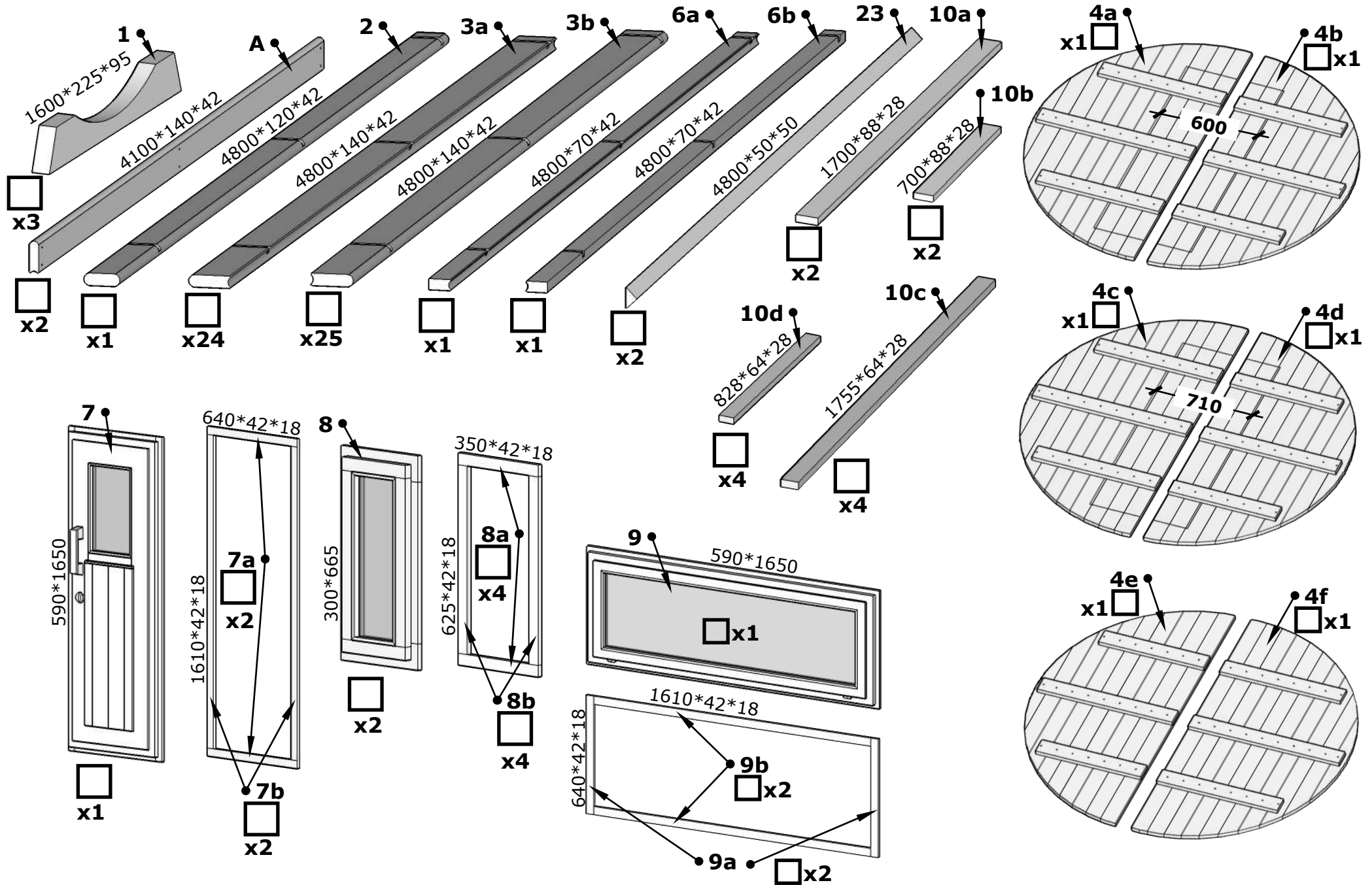


Camping 480, D210



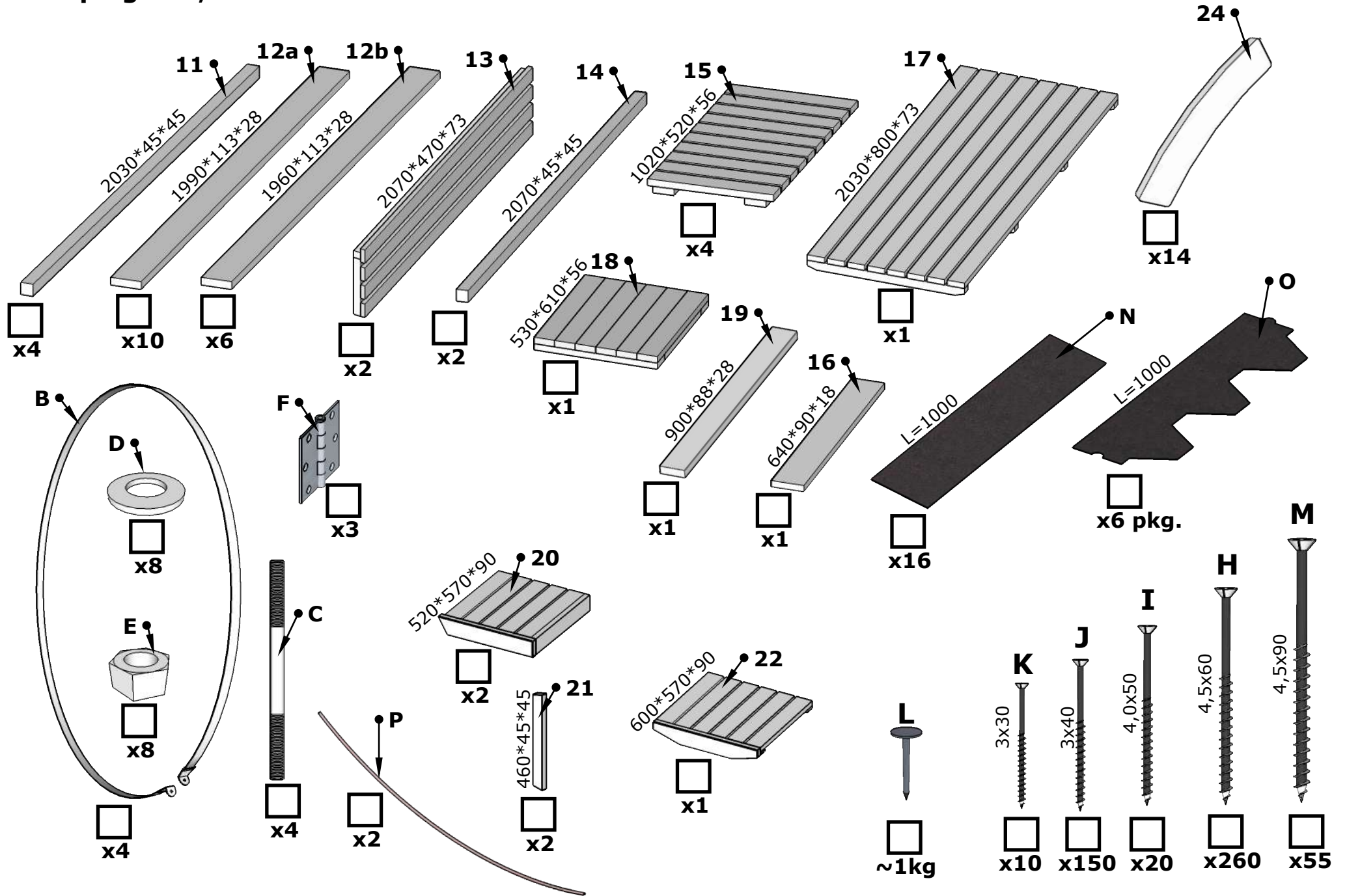
Camping 480, D 210

Details list nr.1



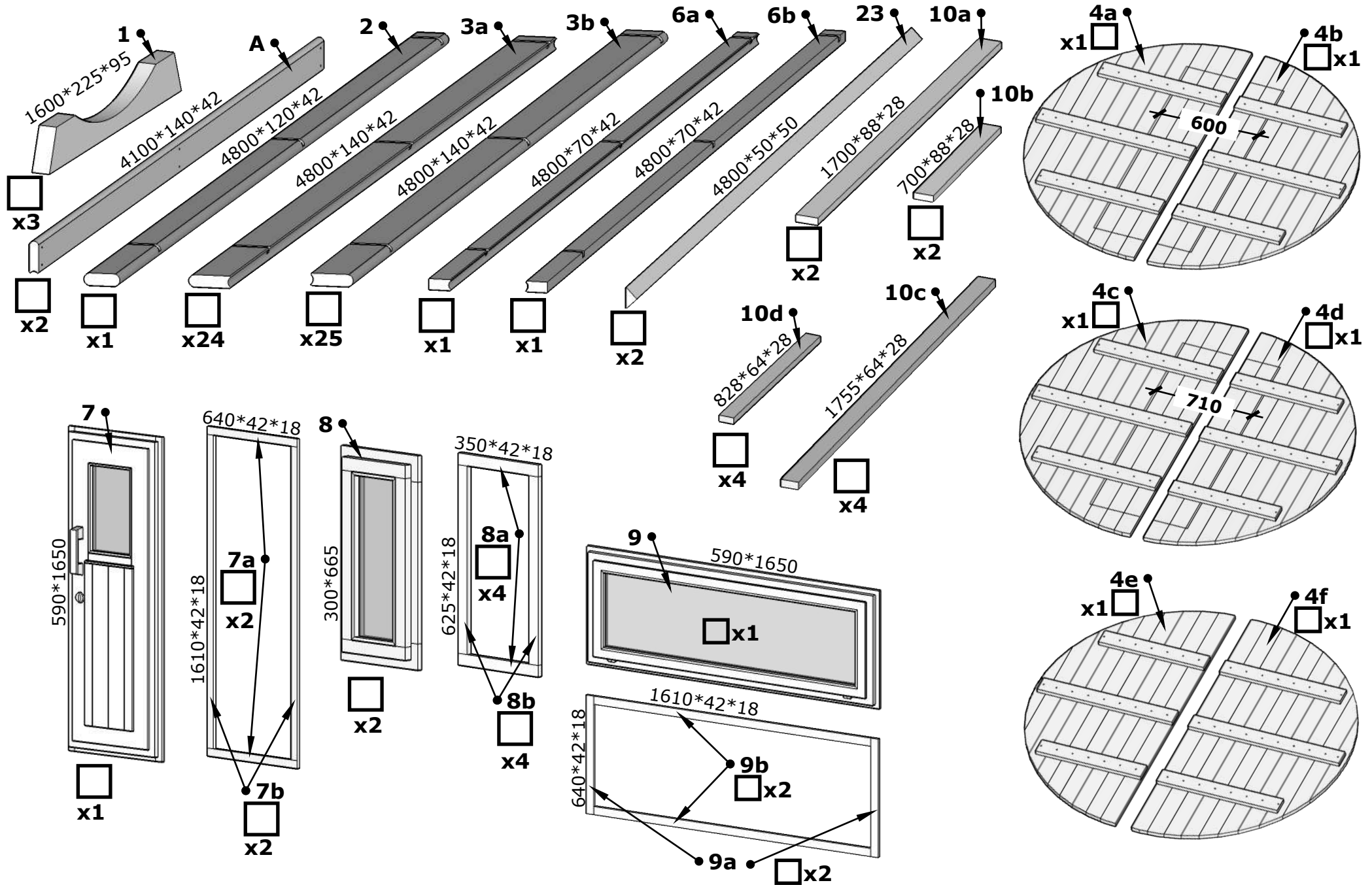
Camping 480, D 210

Details list nr.2



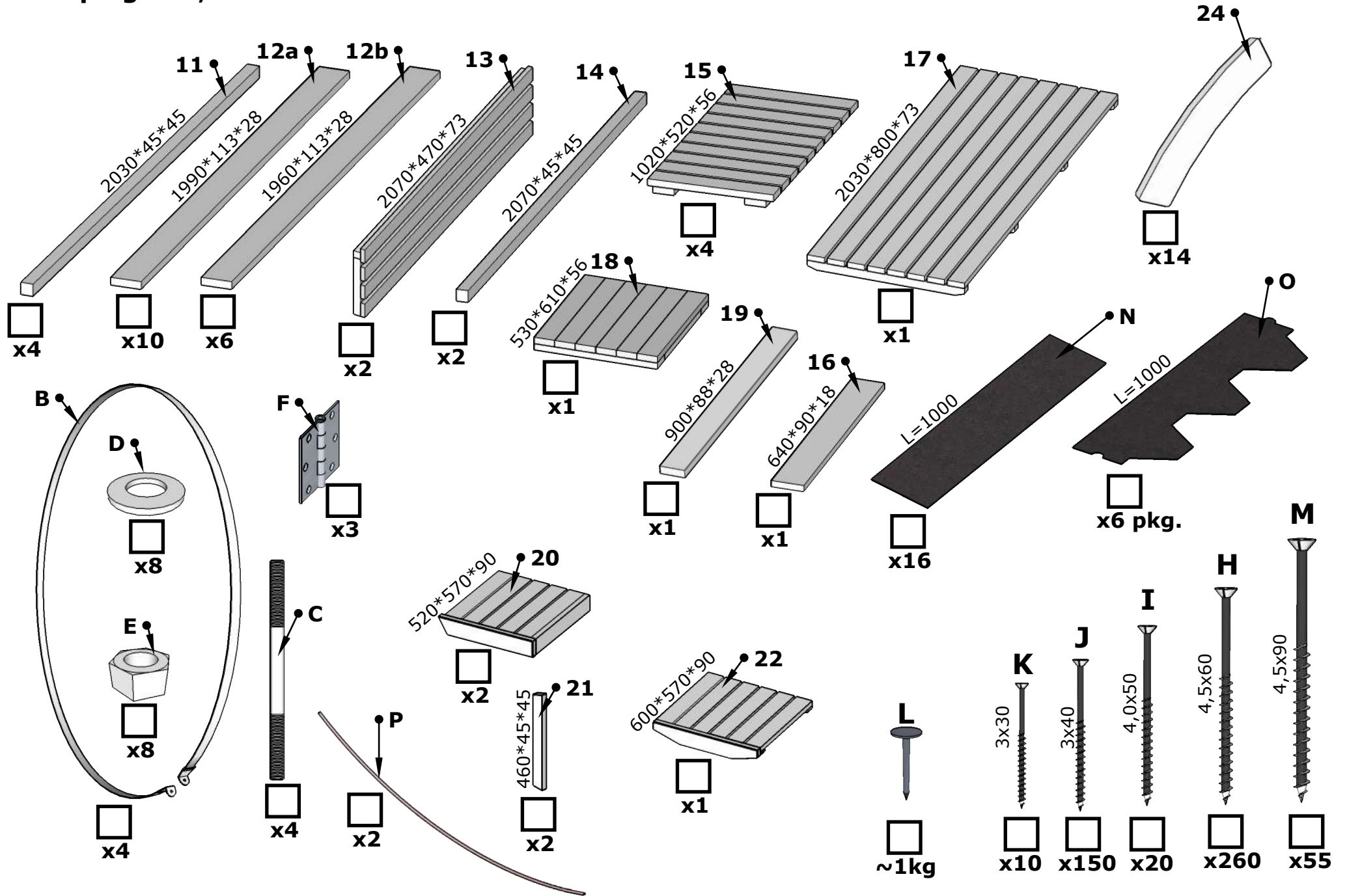
Camping 480, D 210

Details list nr.1

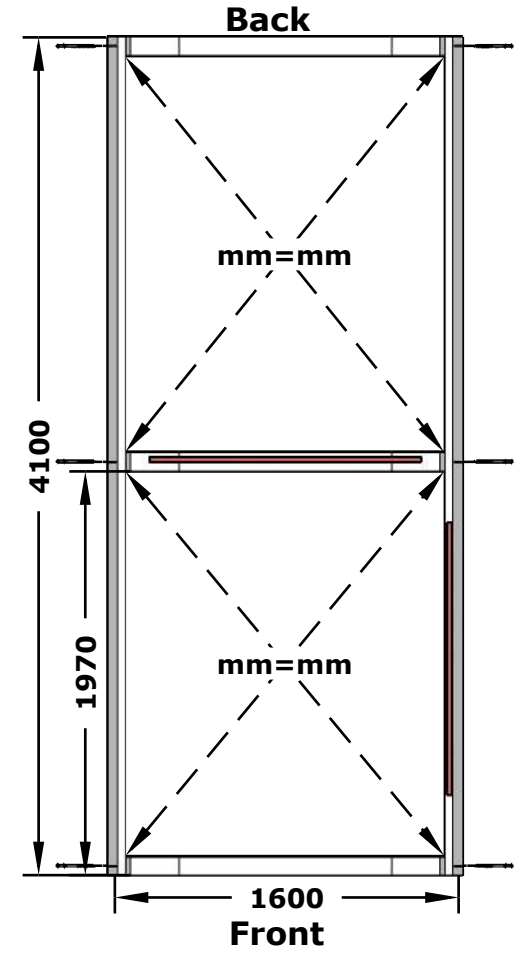
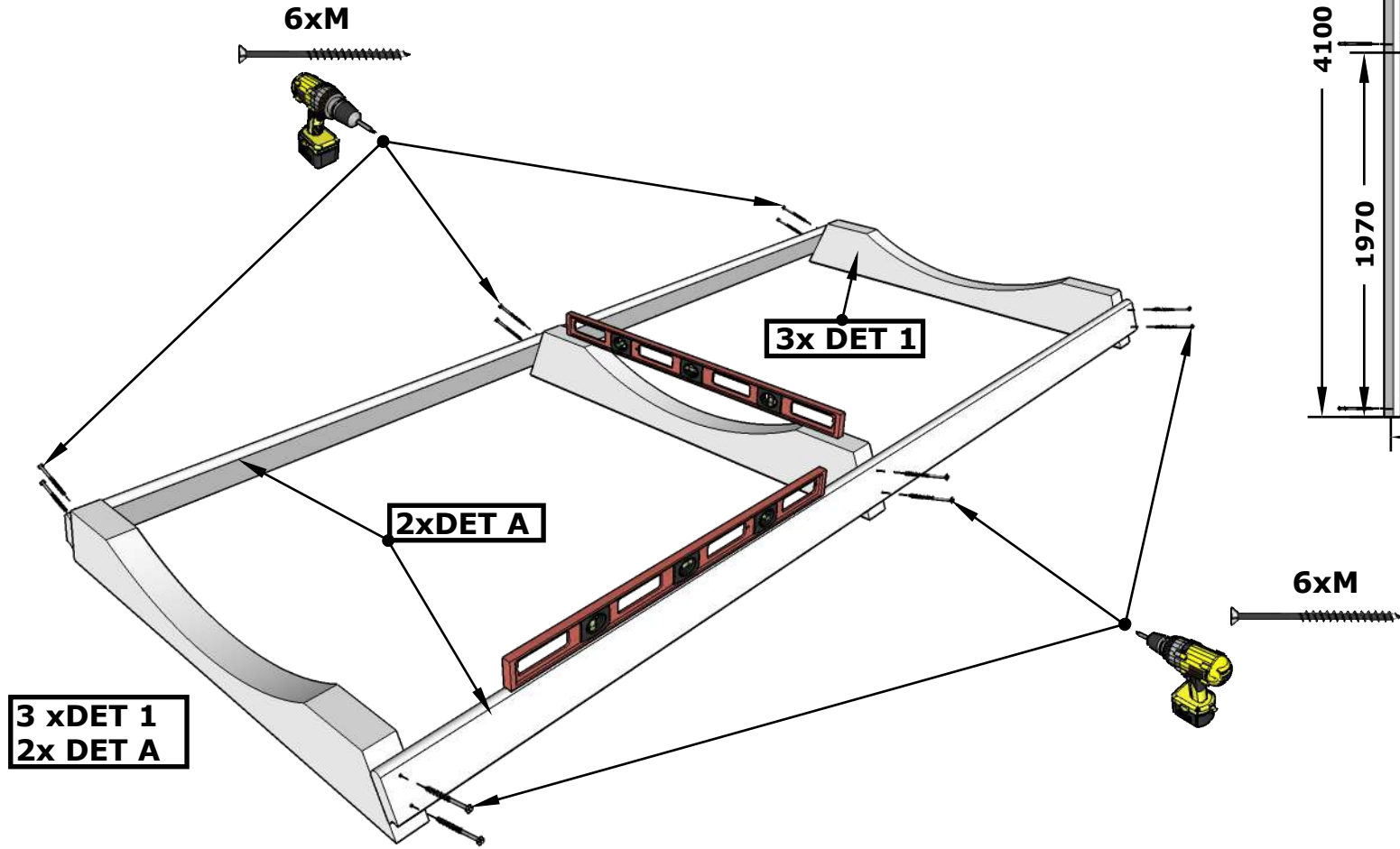


Camping 480, D 210

Details list nr.2



Camping 480, D 210

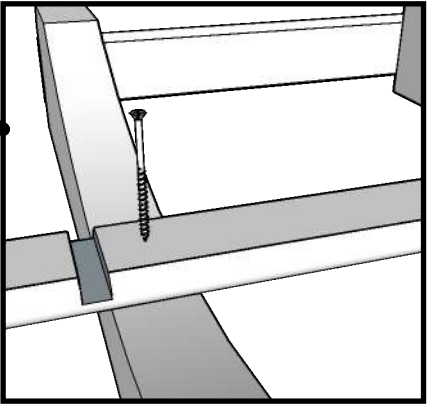
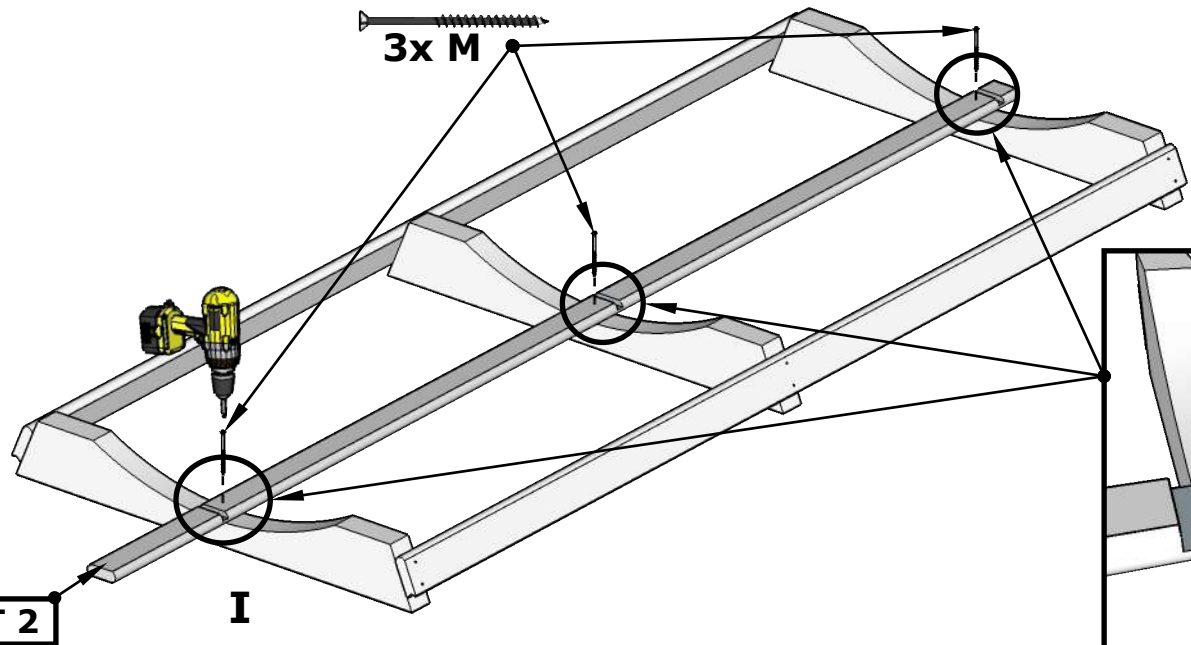
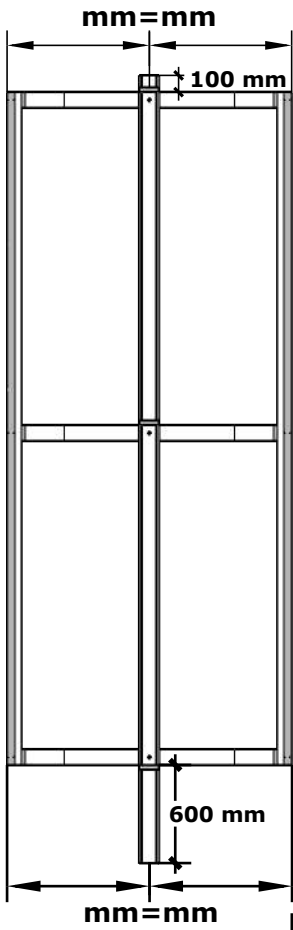
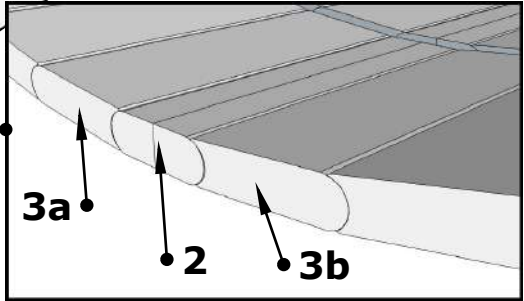
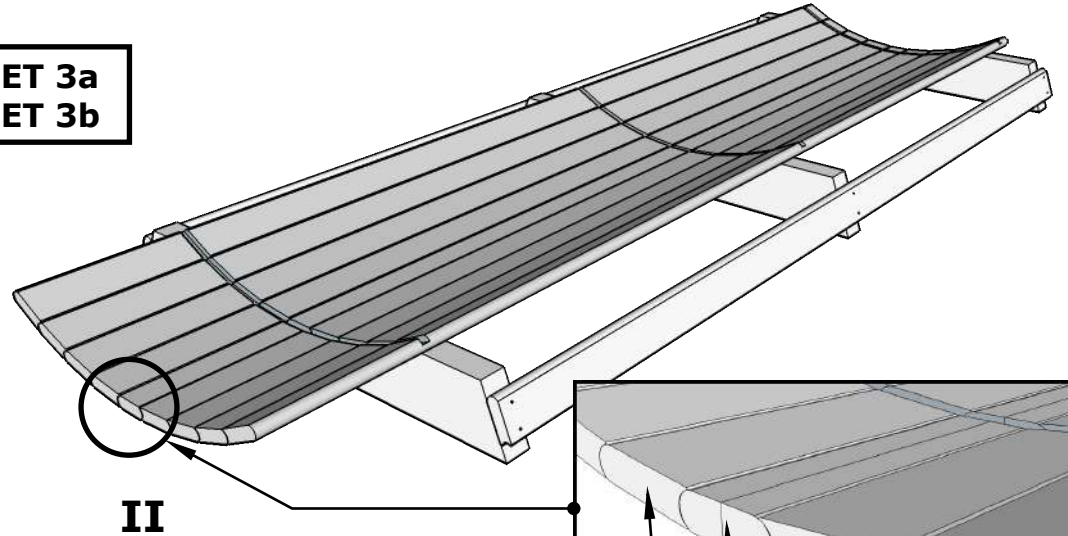


1.

Camping 480, D 210



4 x DET 3a
4 x DET 3b

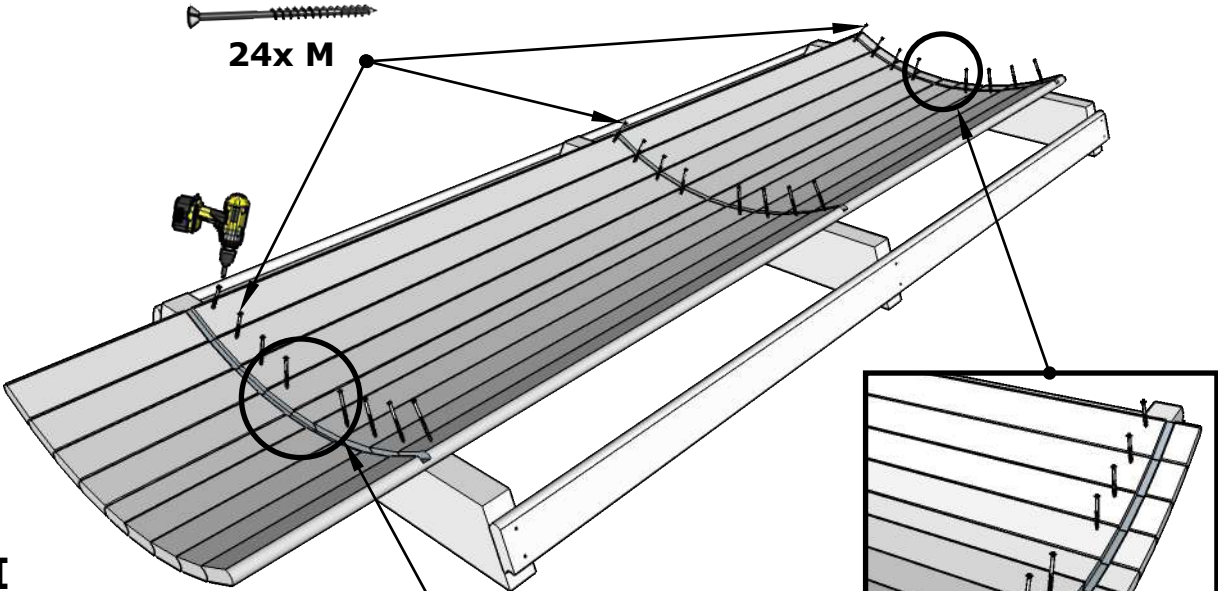


1xDET 2

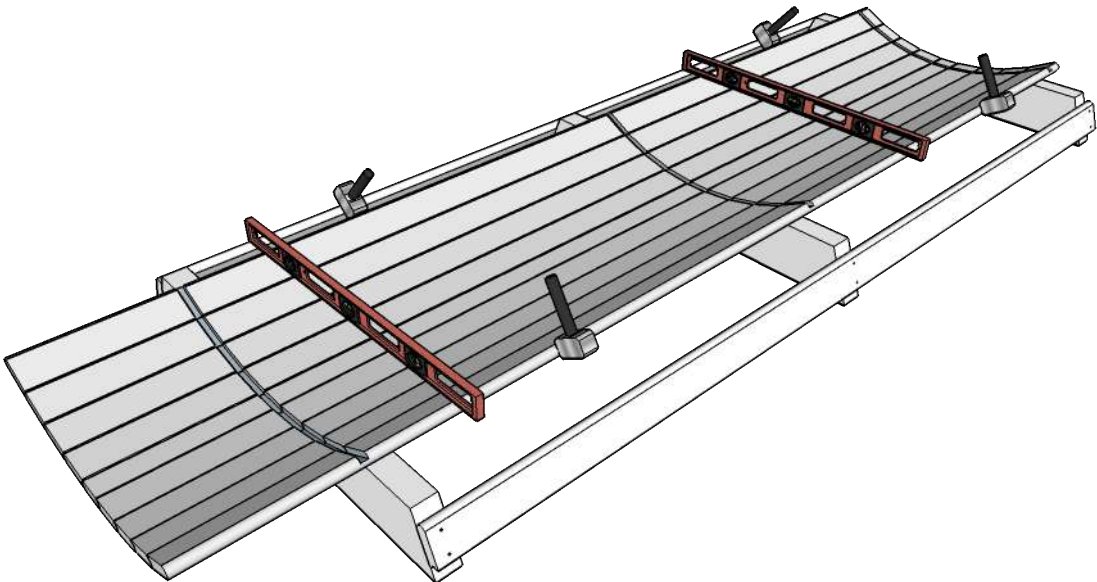
I

2.

Camping 480, D 210



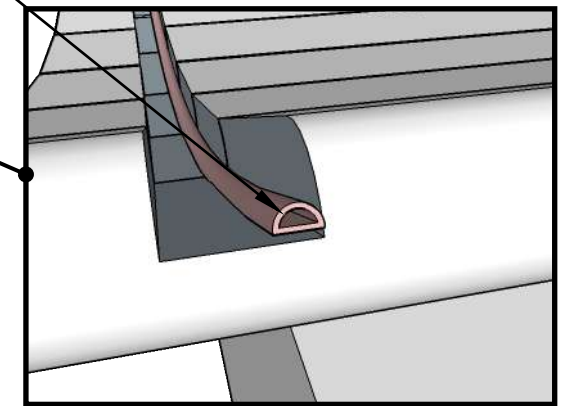
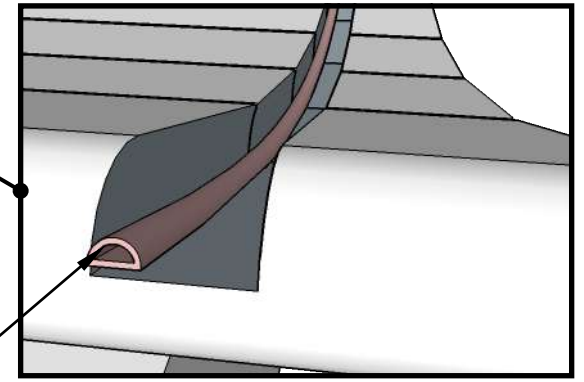
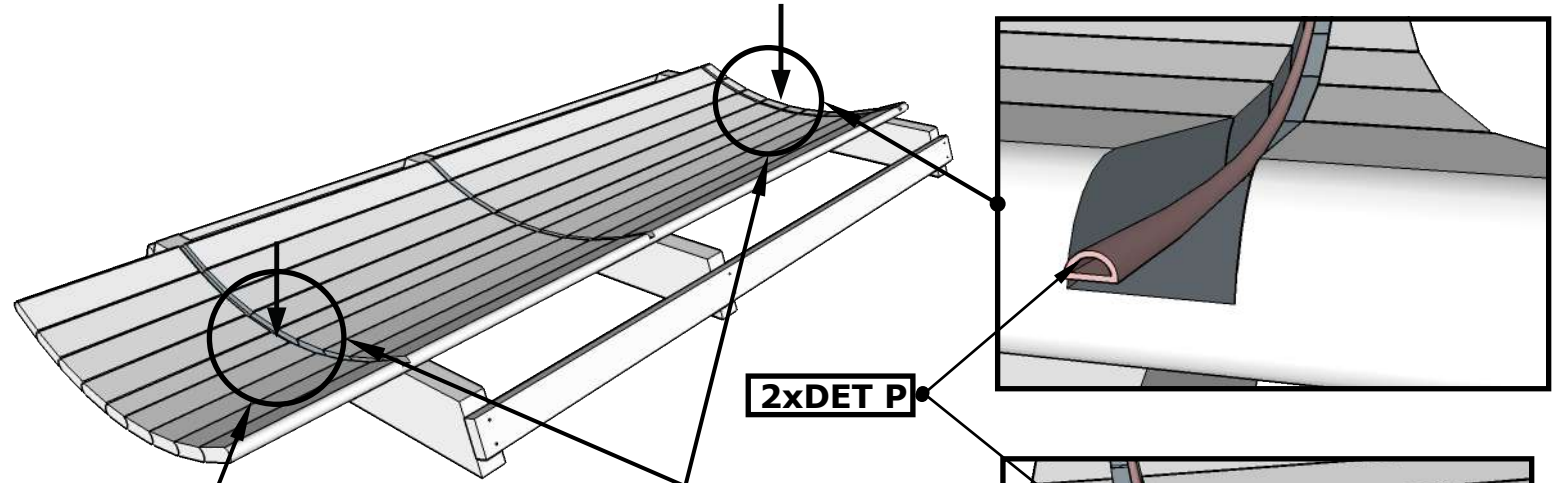
II



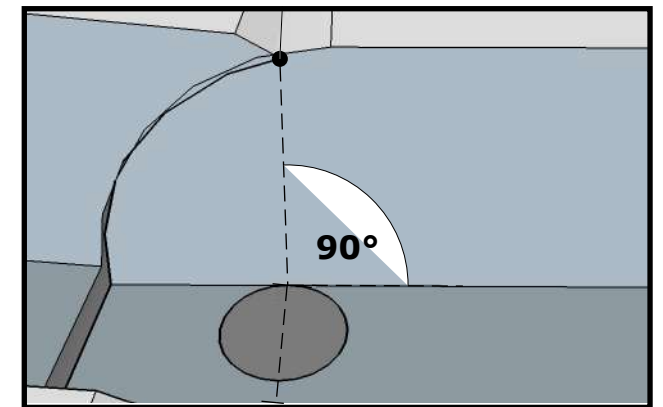
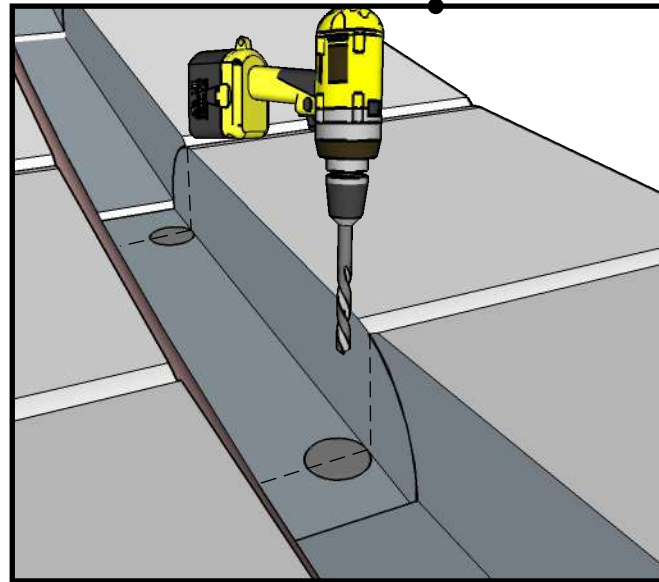
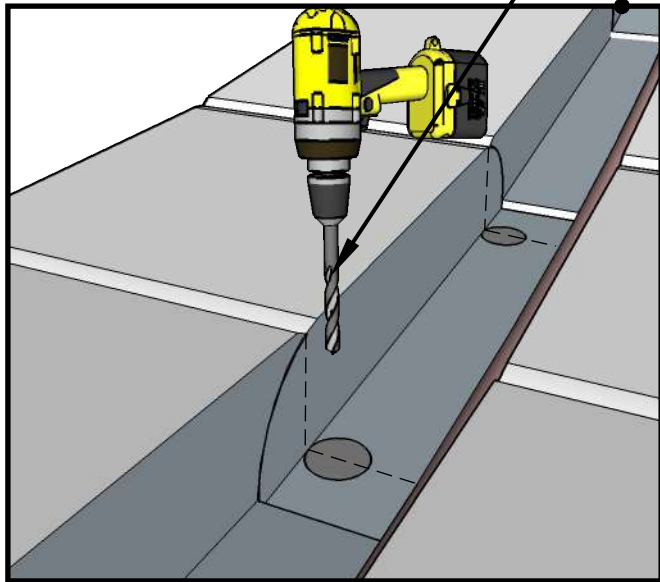
I

3.

Camping 480, D 210

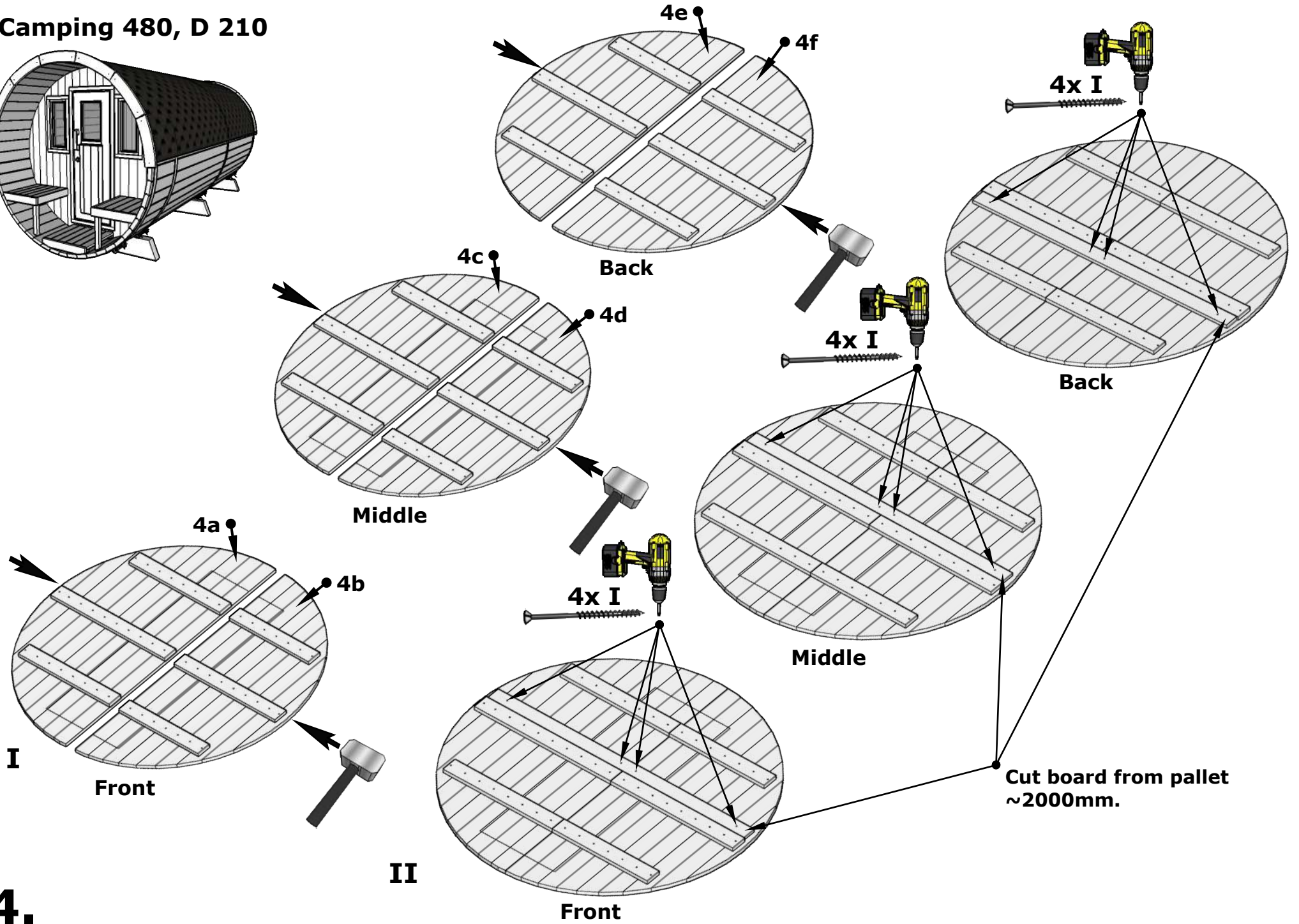


Drill 4 holes
in DET 2 Ø10 mm



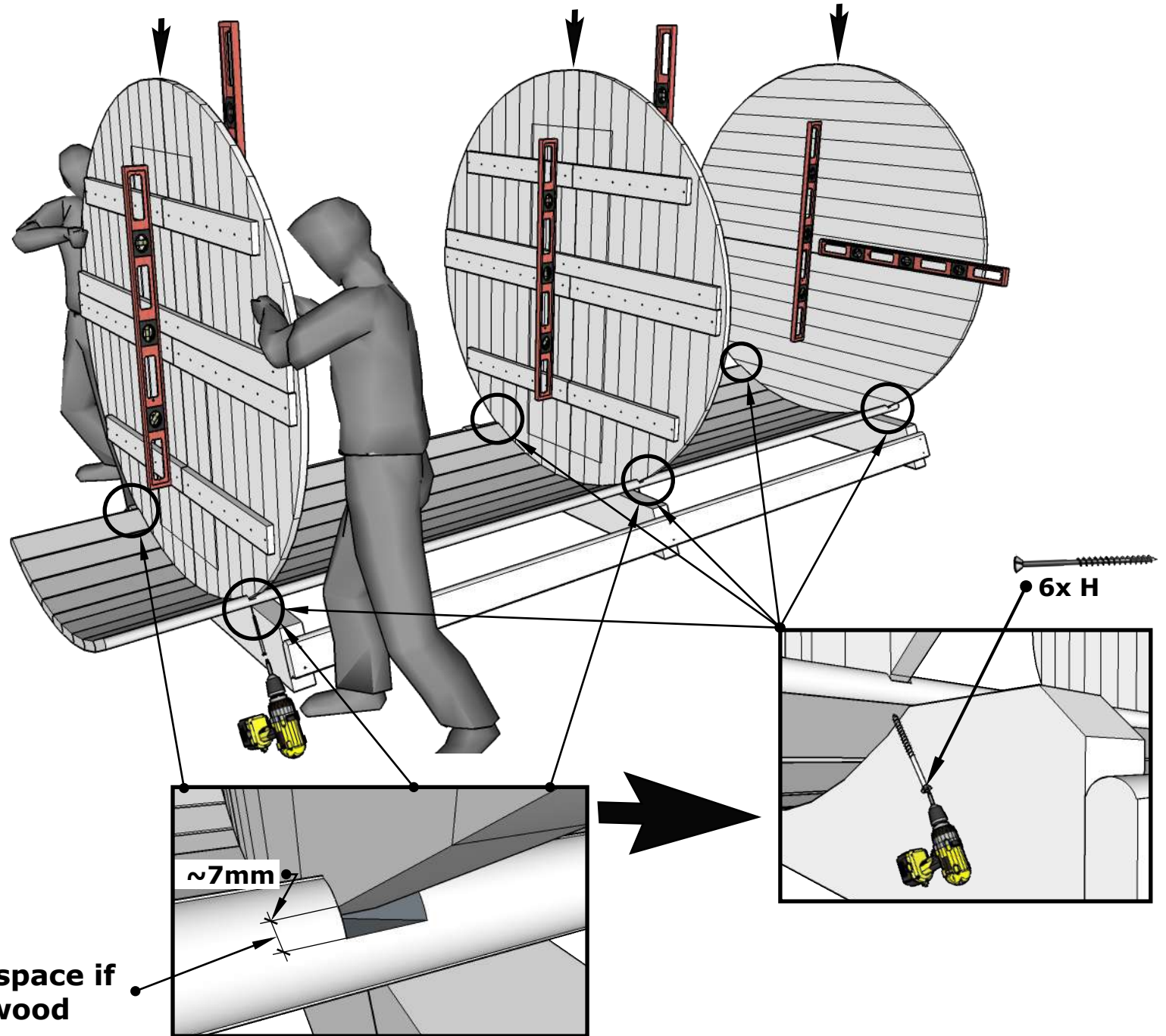
3A.

Camping 480, D 210



4.

Camping 480, D 210



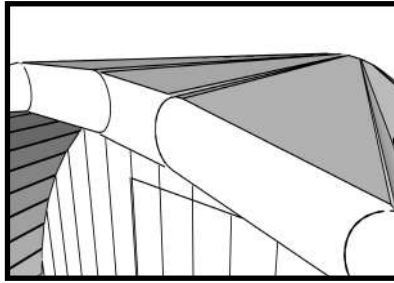
NB! Don't leave space if using thermo wood

5.

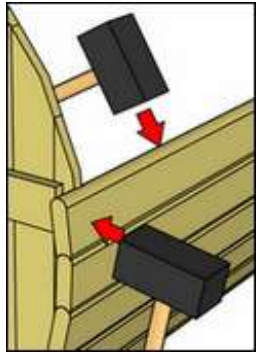
Camping 480, D 210



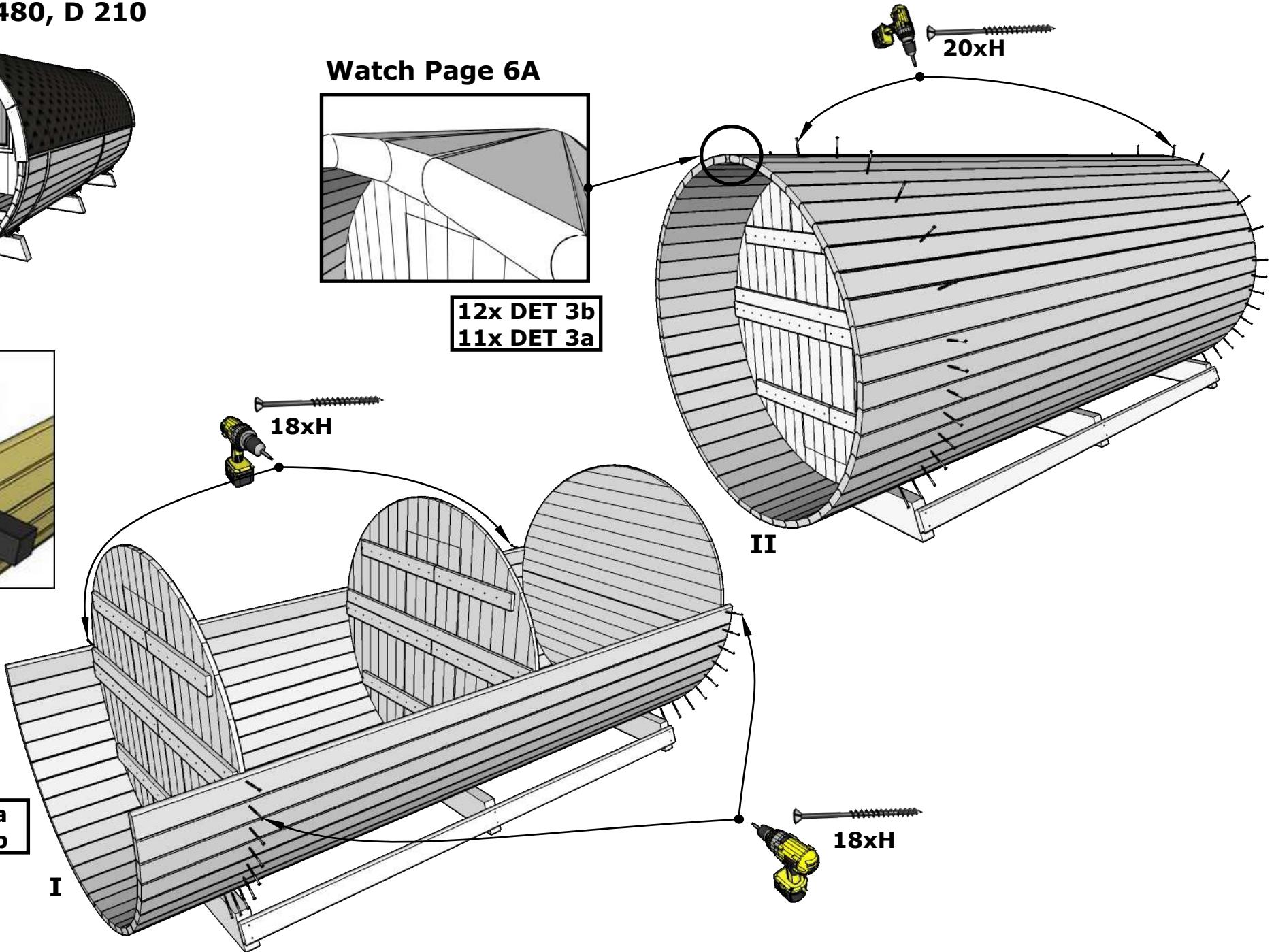
Watch Page 6A



12x DET 3b
11x DET 3a

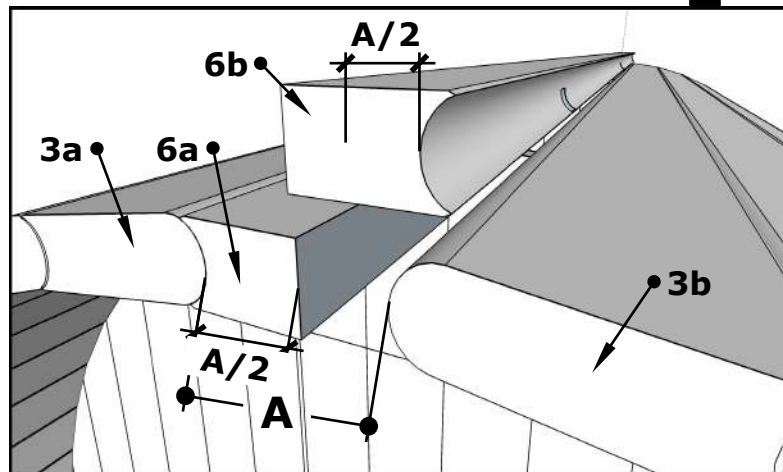
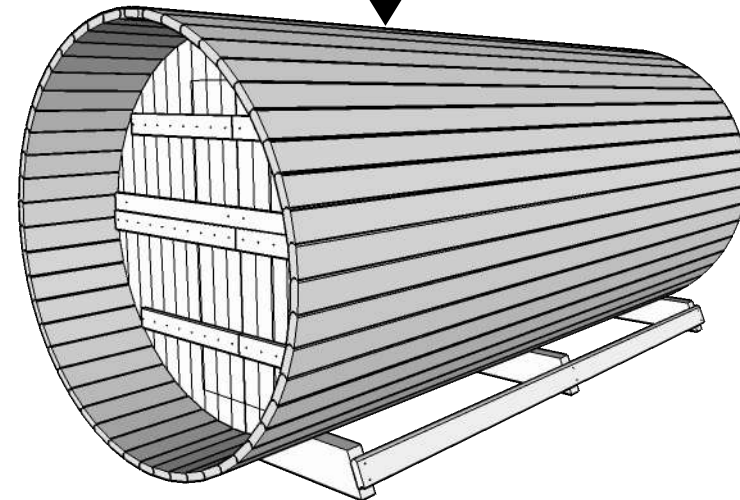
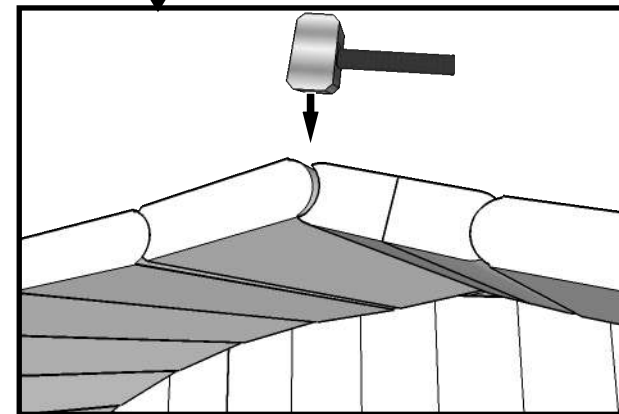
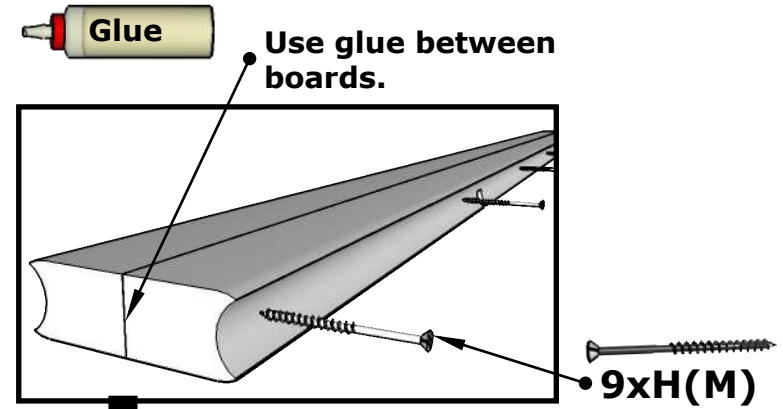
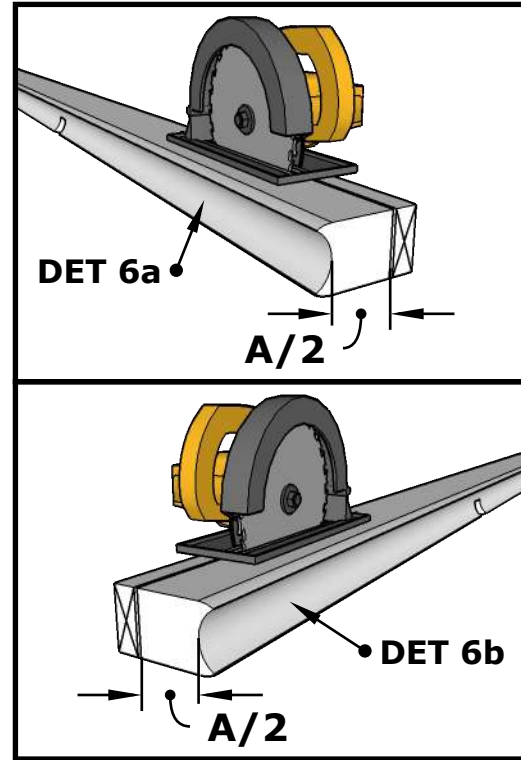


9x DET 3a
9x DET 3b



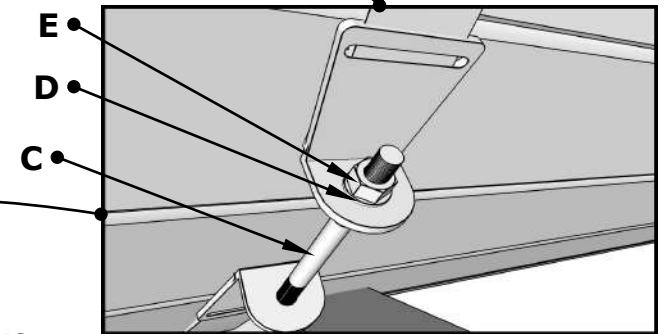
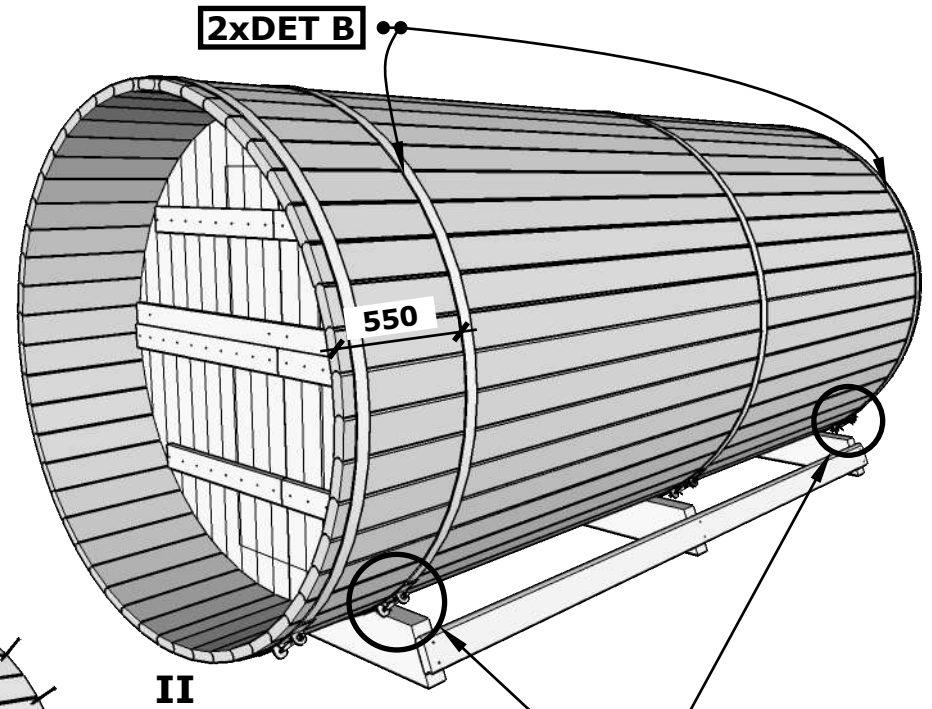
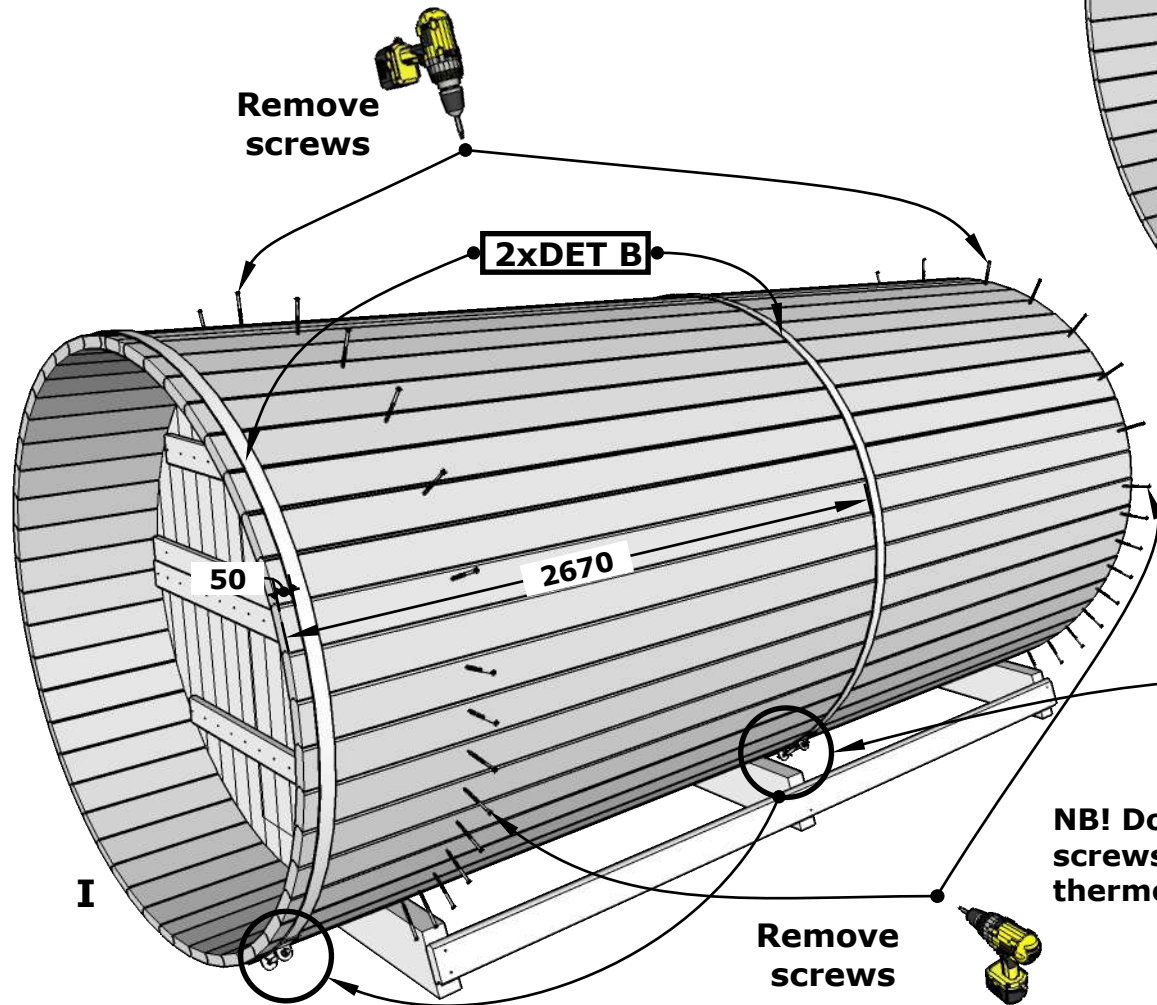
6.

Camping 480, D 210



6A.

Camping 480, D 210



NB! Don't remove screws, if using thermo wood!

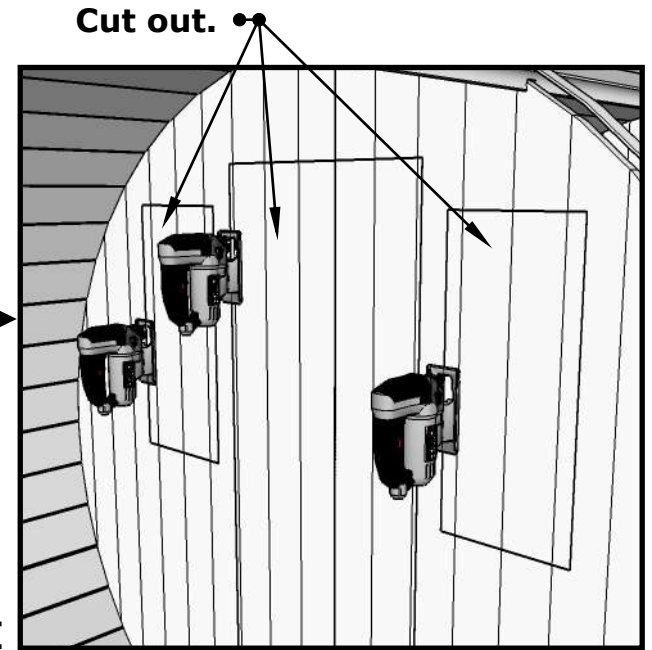
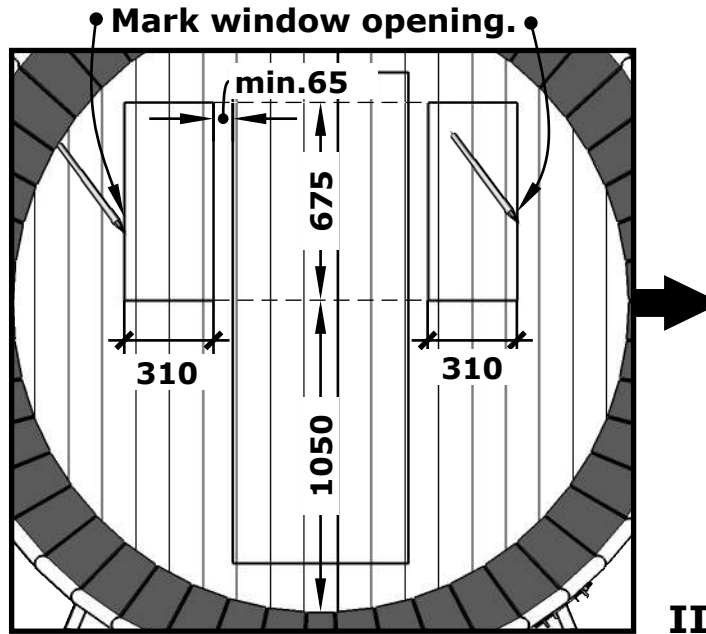


7.

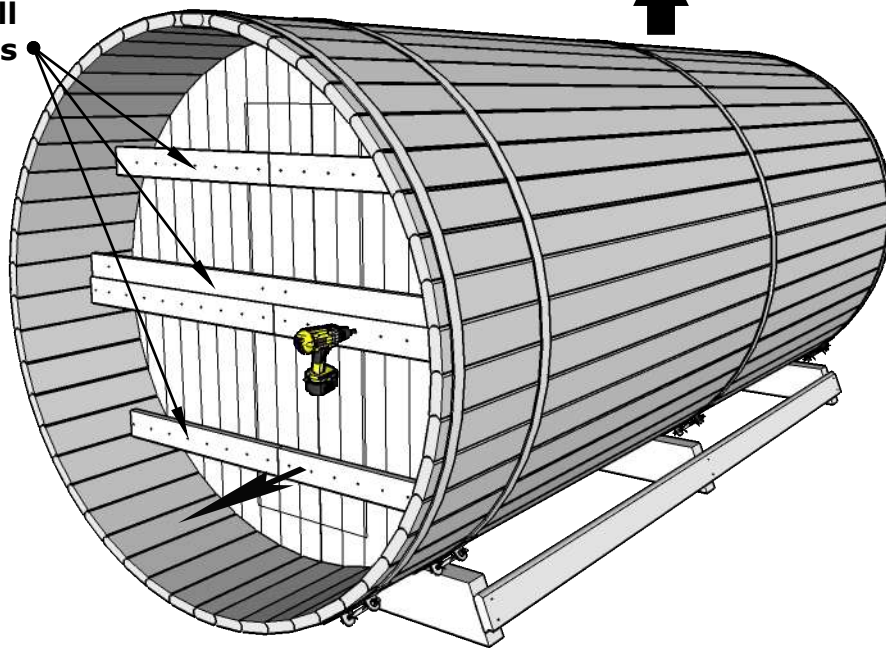
Camping 480, D 210



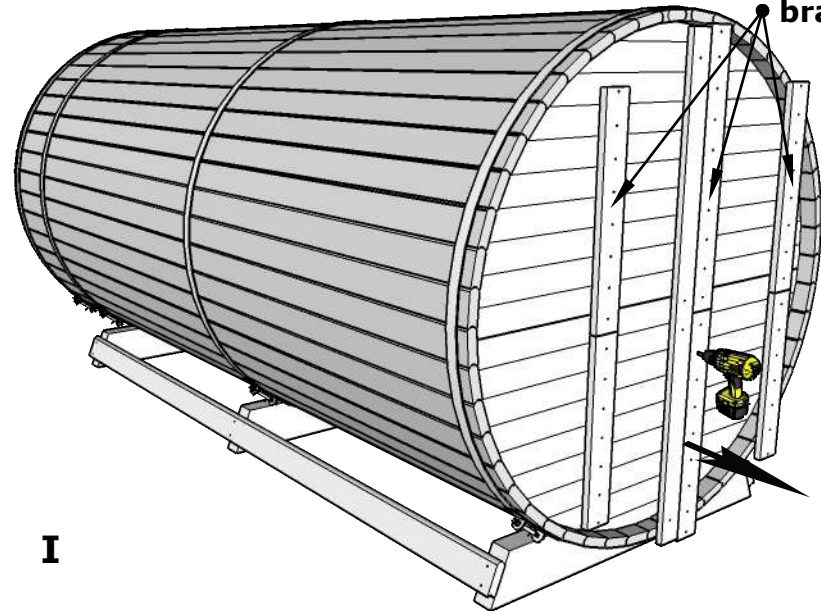
NB! Use waterlevel.



Remove all brackets



Remove all brackets



8.

I

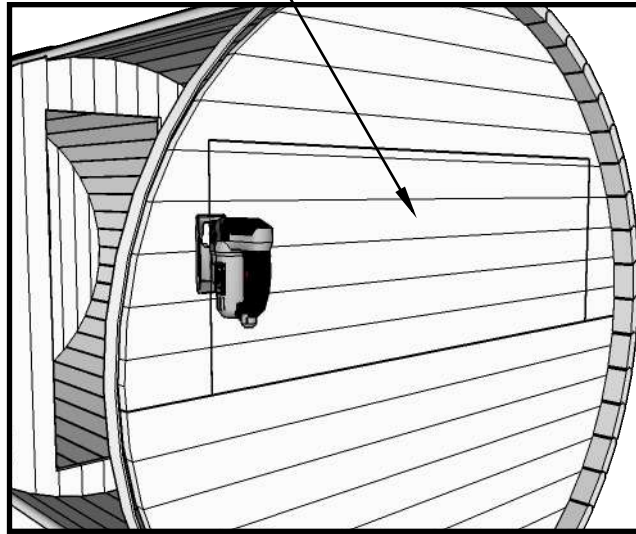
Camping 480, D 210



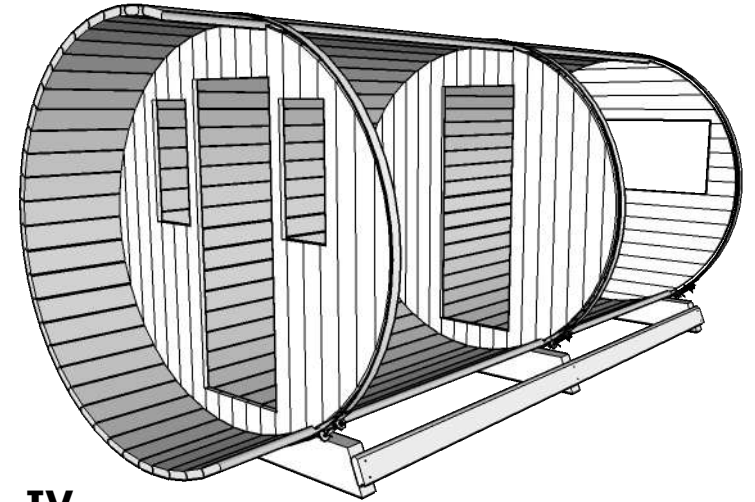
NB! Use waterlevel.



Cut out.

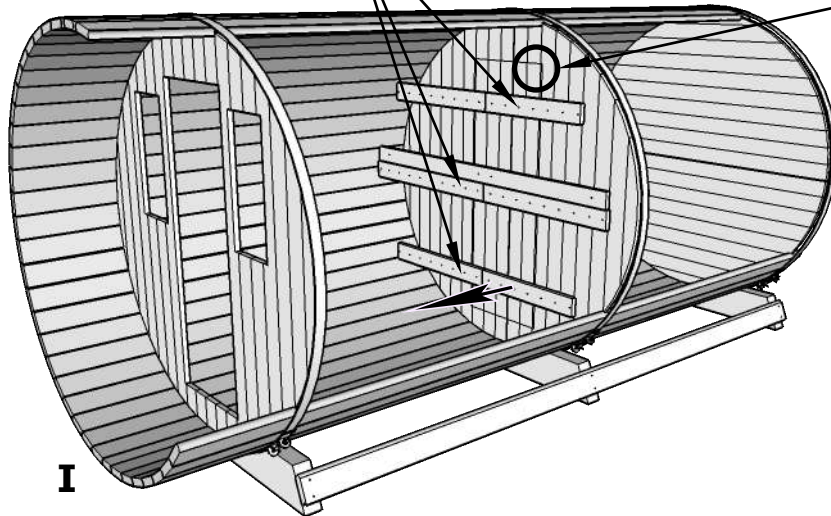


III



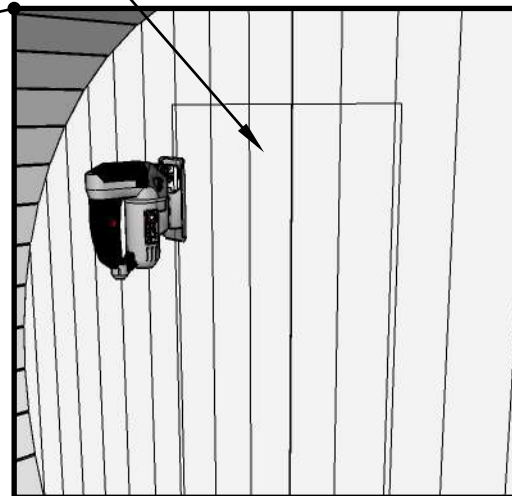
IV

Remove all brackets



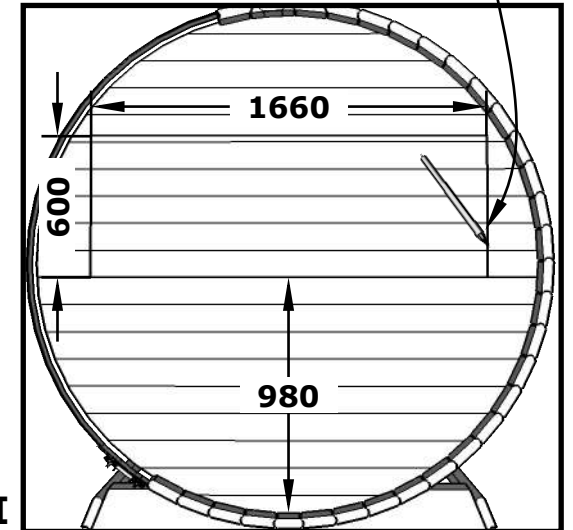
I

Cut out.

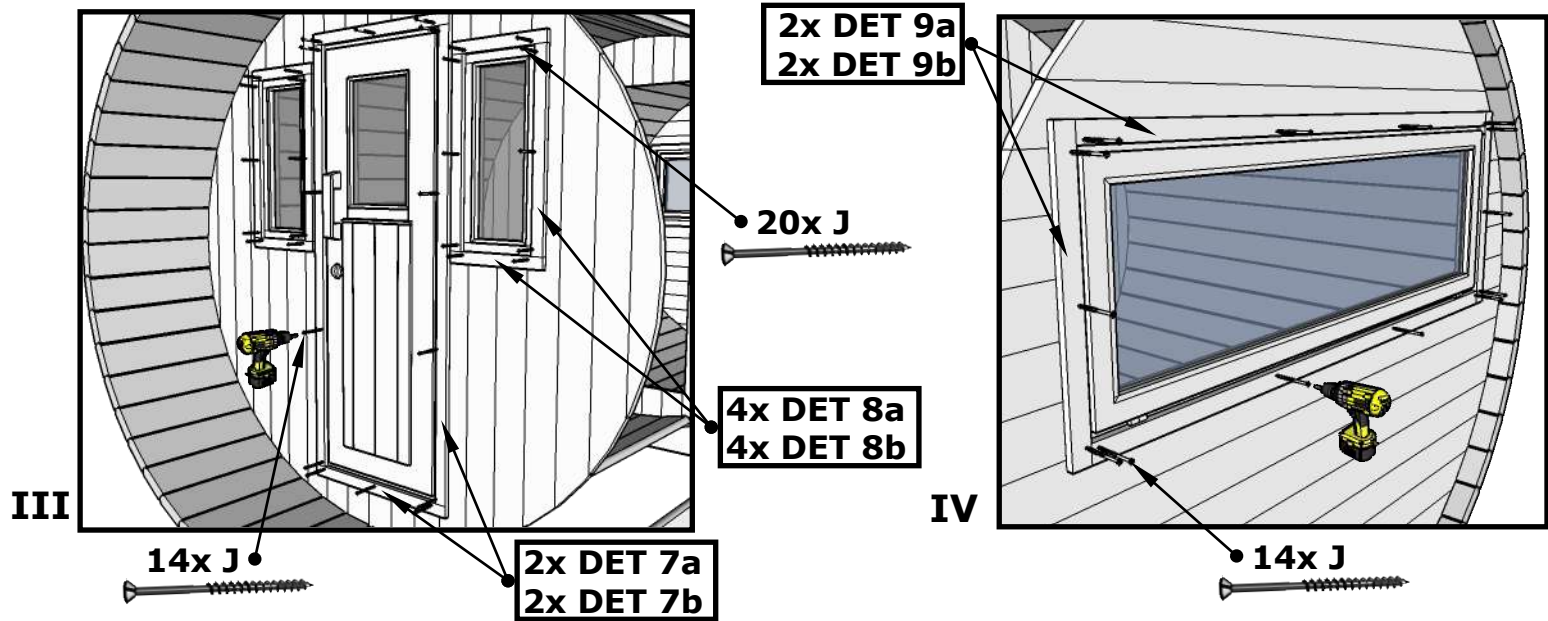


II

Mark window opening.



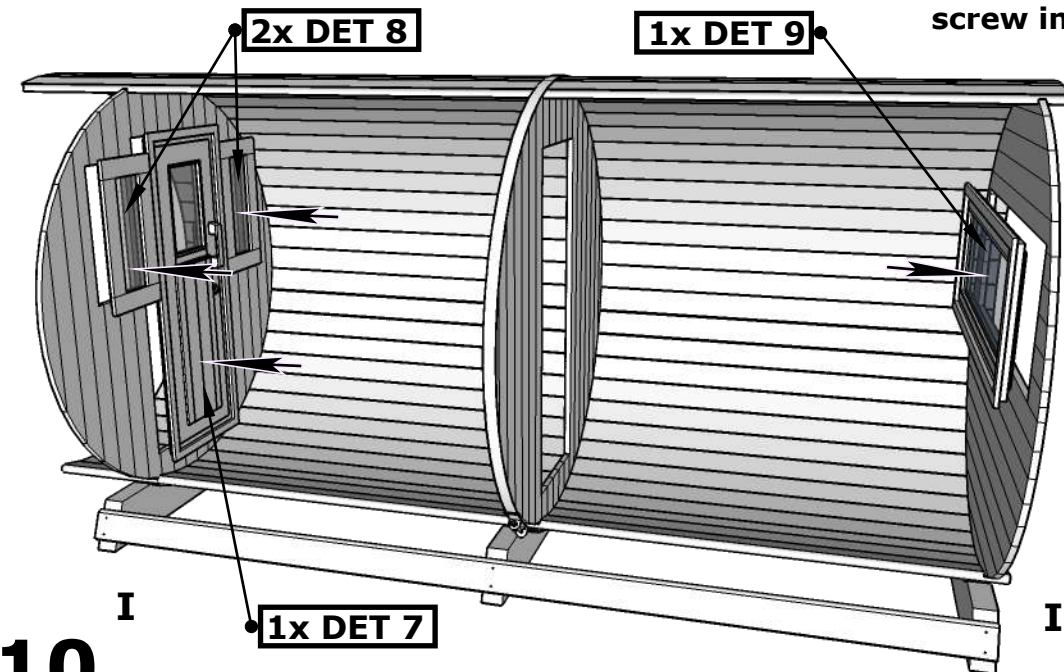
Camping 480, D 210



NB! Use waterlevel.

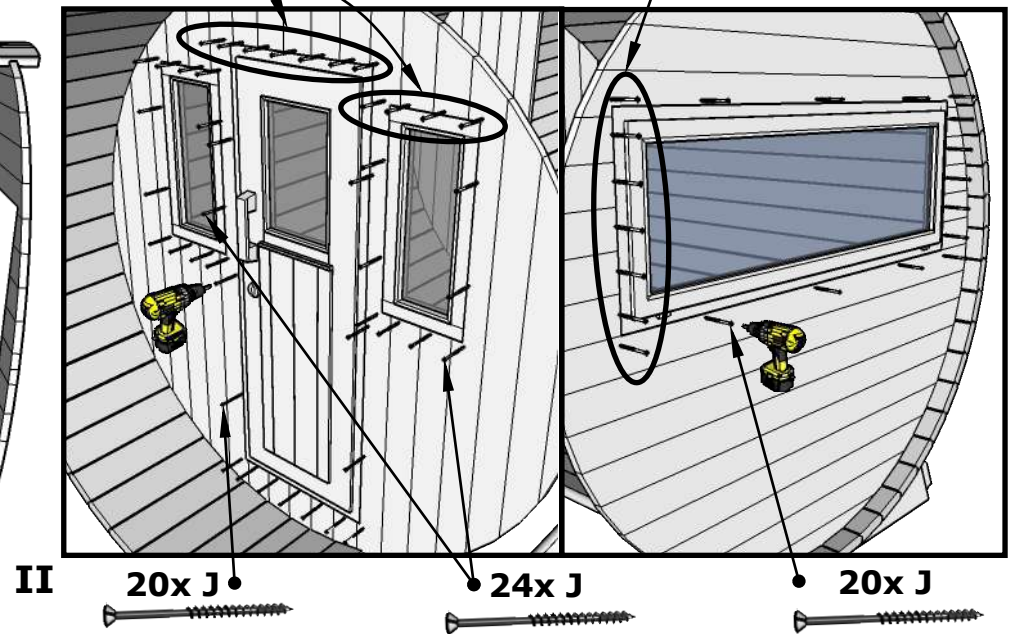


NB! Place door and windows from inside.

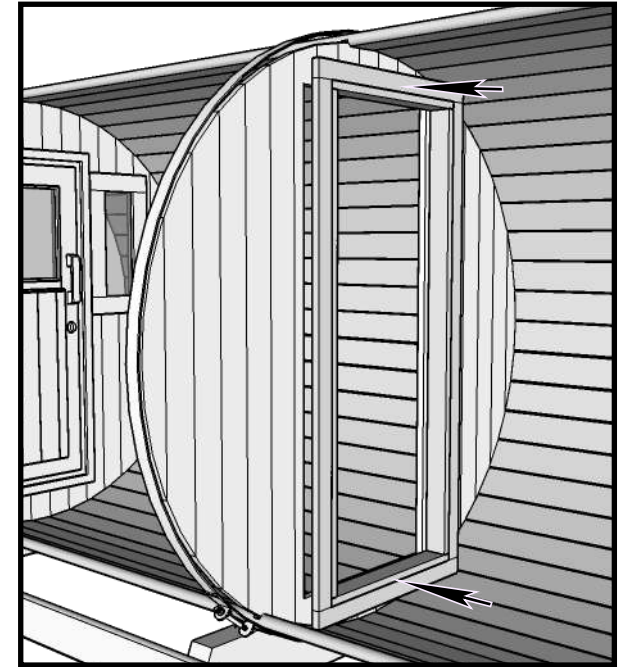
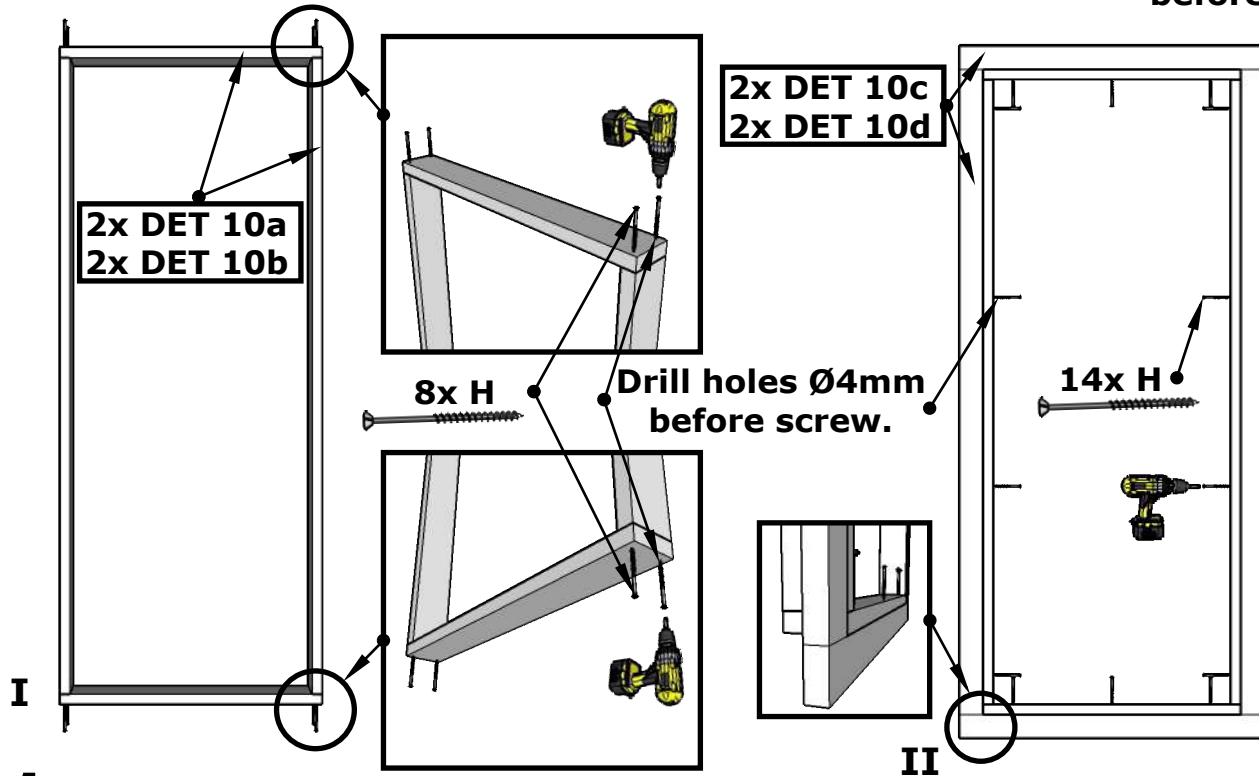
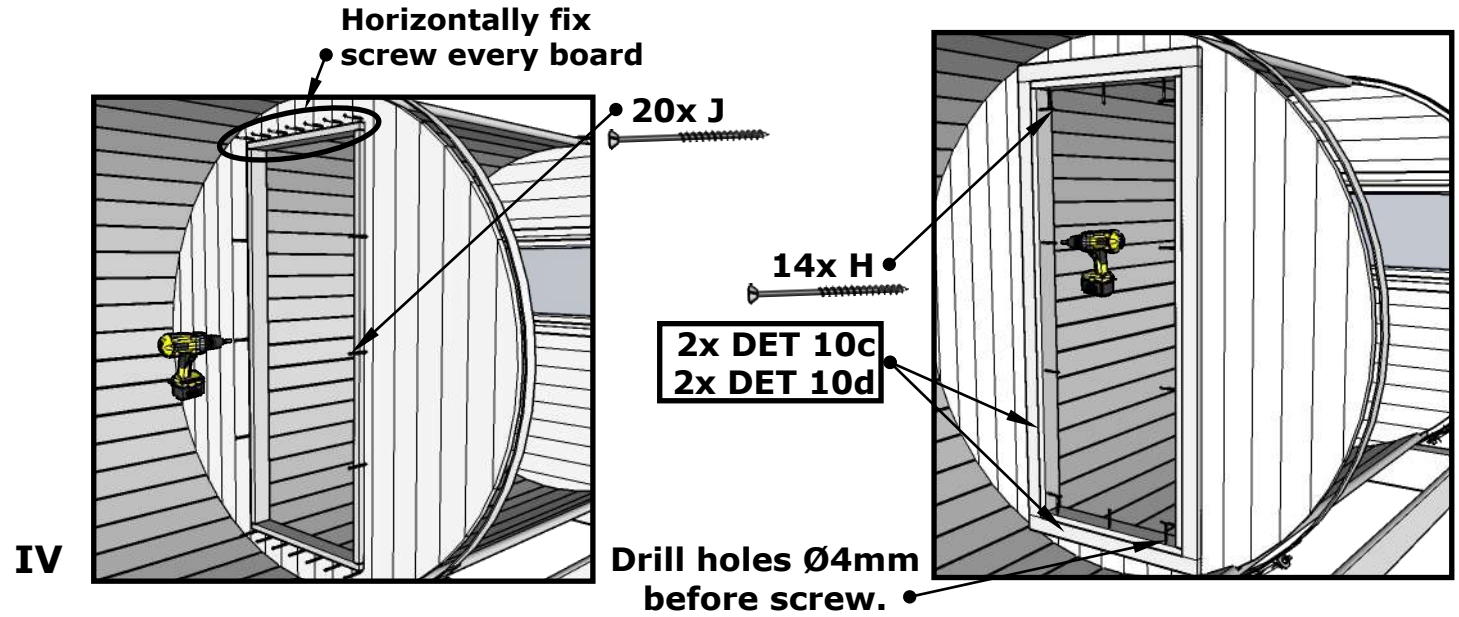


Horizontally fix screw in every board

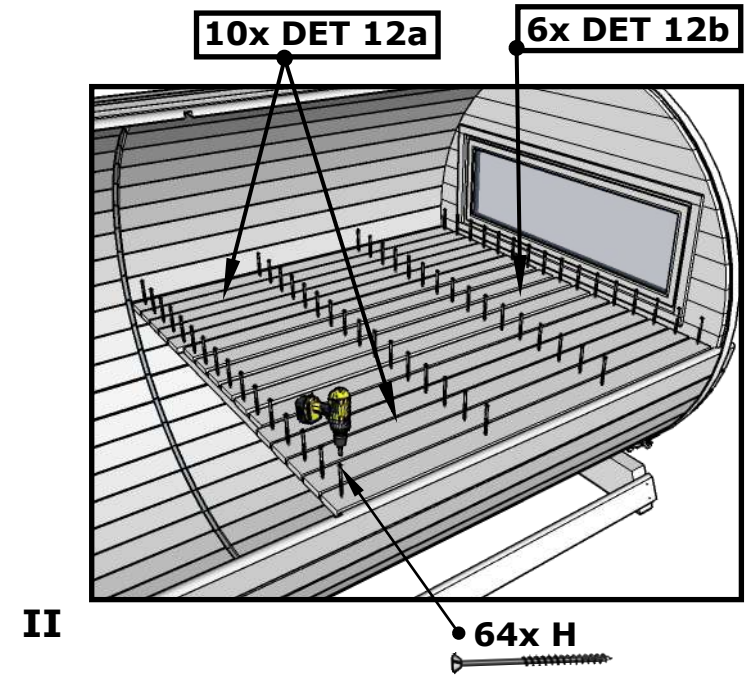
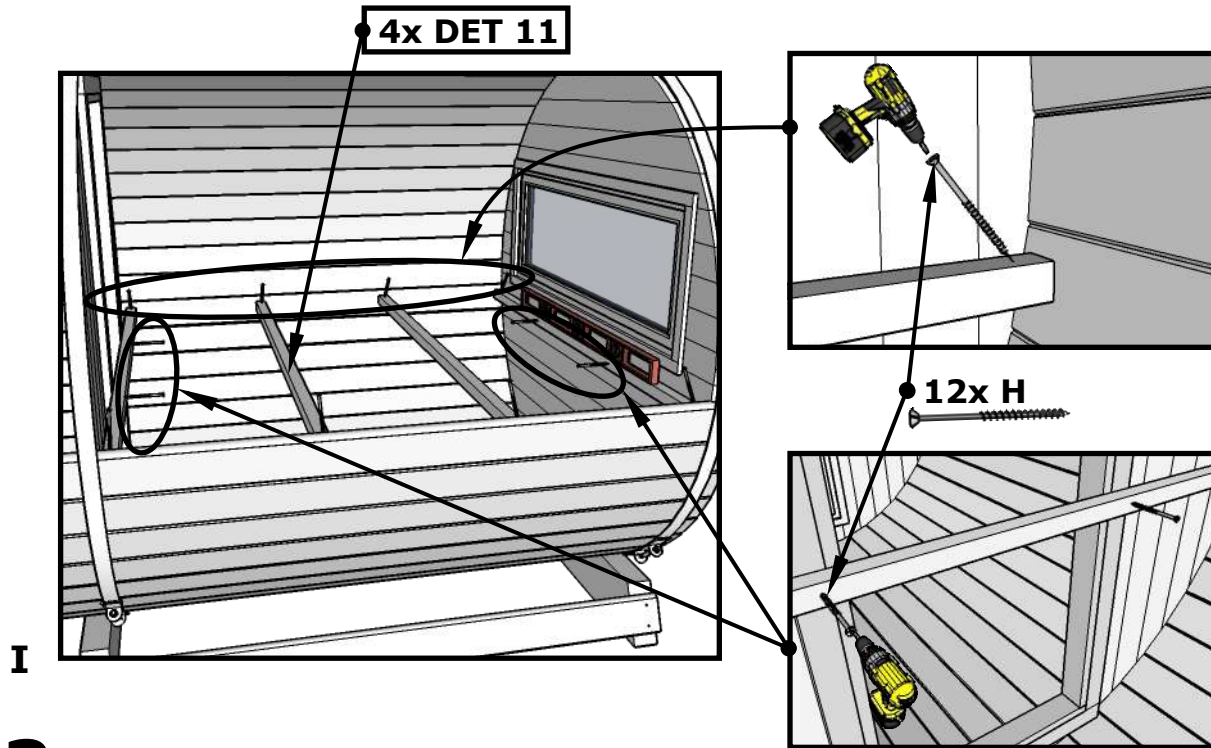
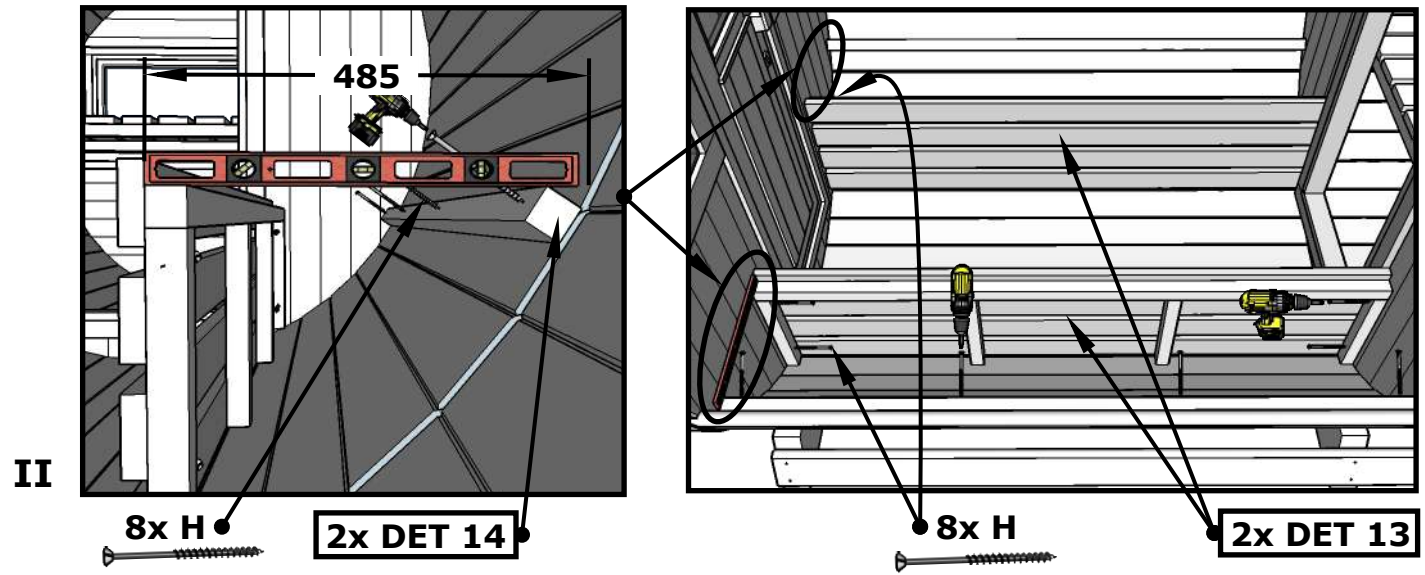
Vertically fix screw in every board



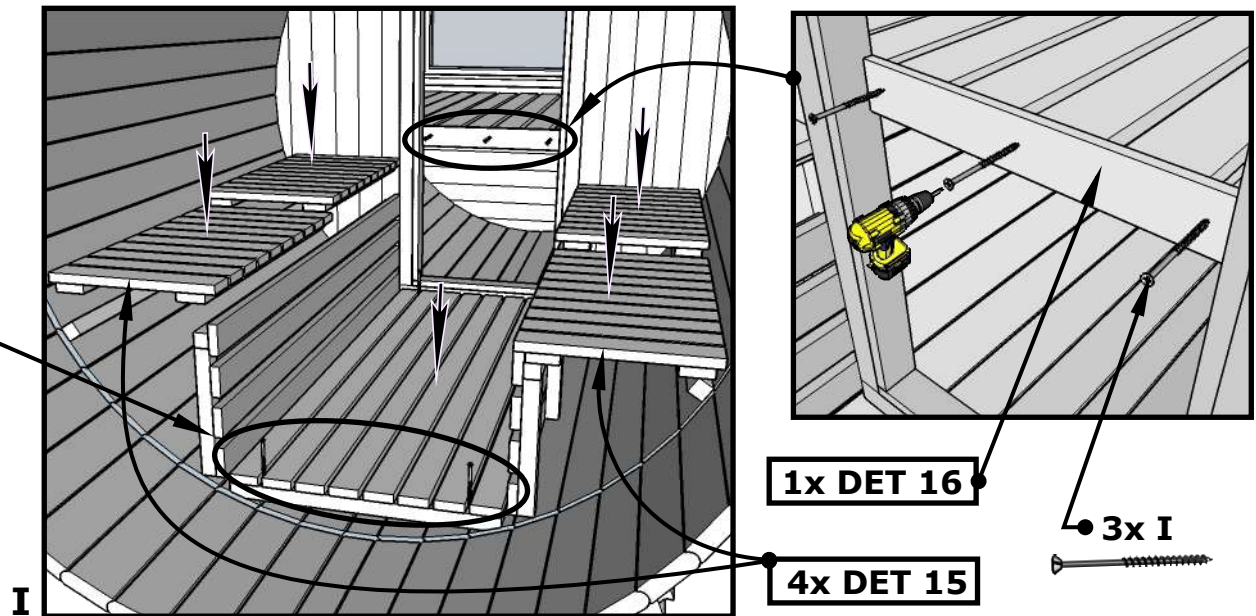
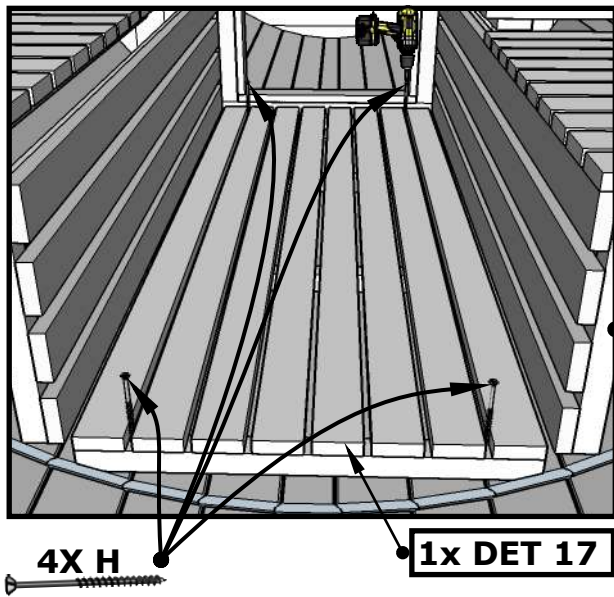
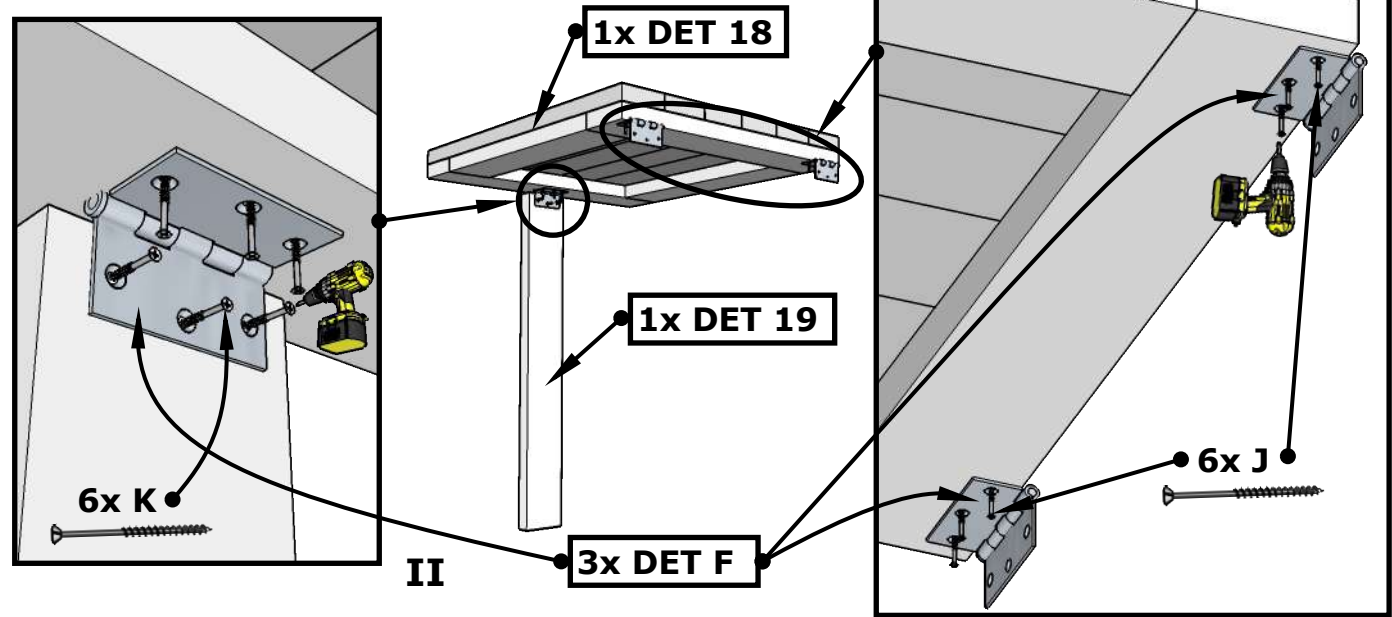
Camping 480, D 210



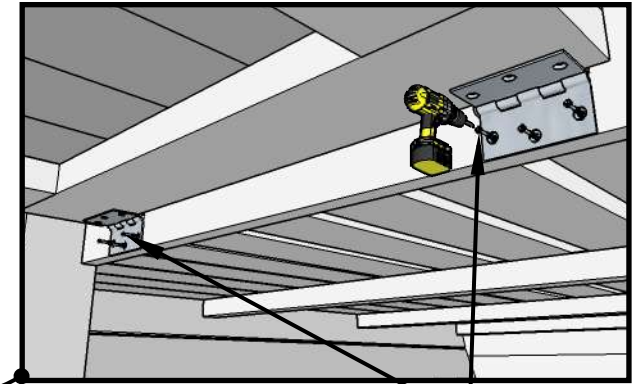
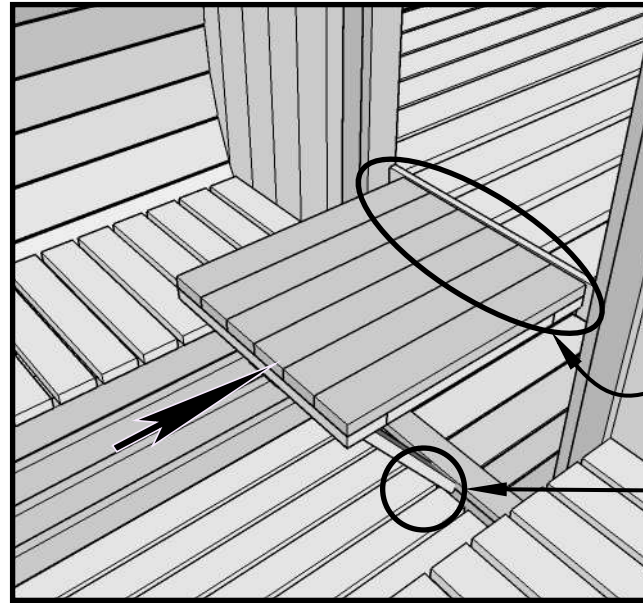
Camping 480, D 210



Camping 480, D 210

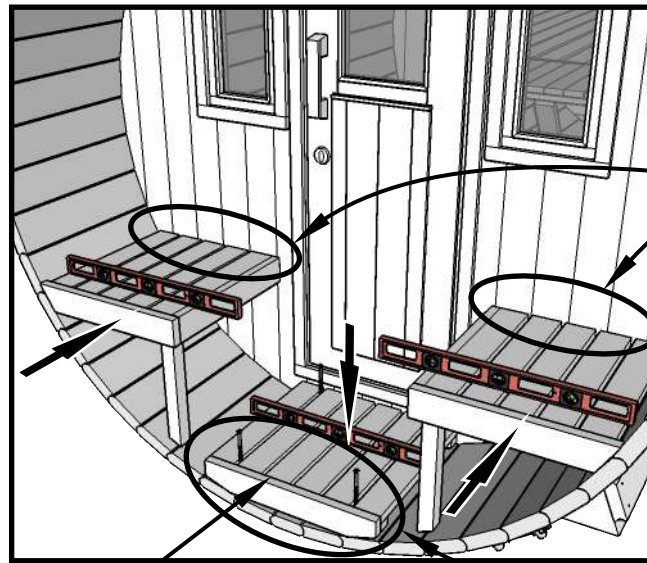
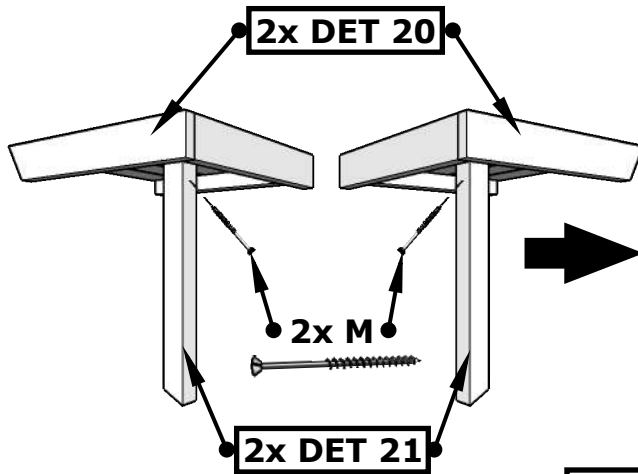


Camping 480, D 210

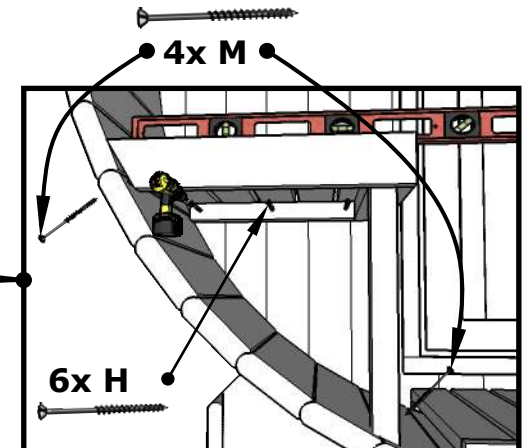


Cut table leg on right size, if necessary.

6x J

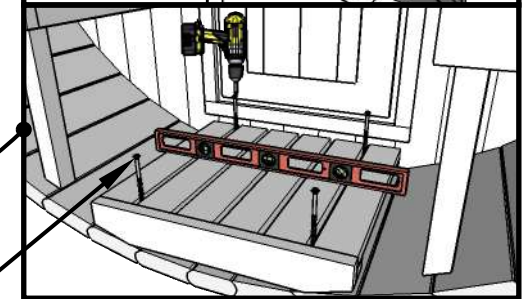


1x DET 22



4x M

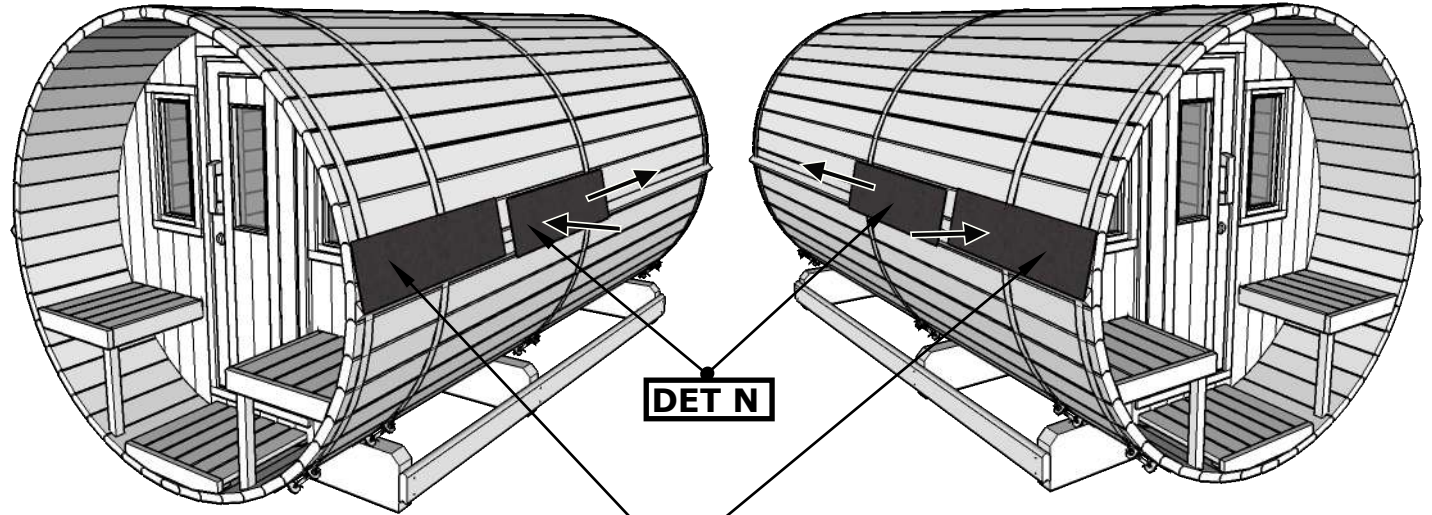
6x H



4x H

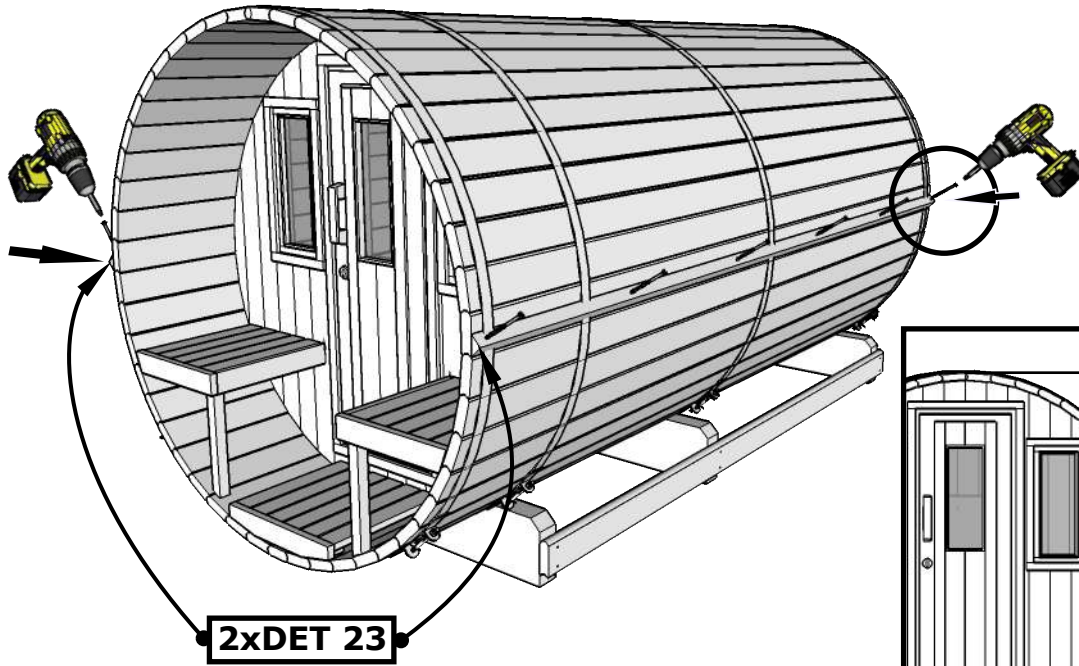


Camping 480, D 210



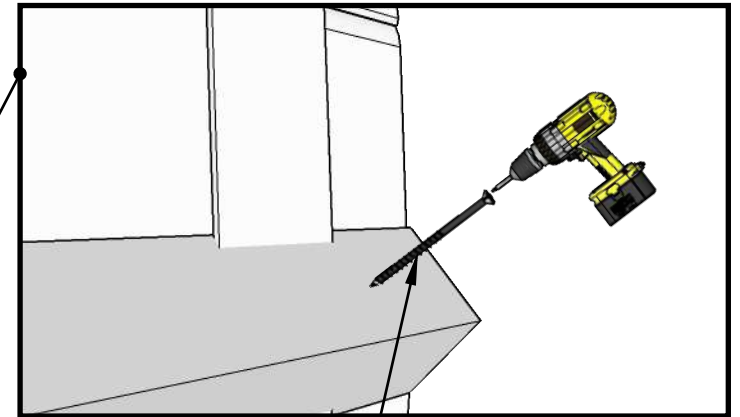
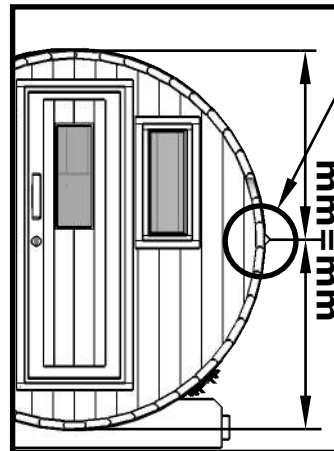
II

DET N



I

2xDET 23



14x H

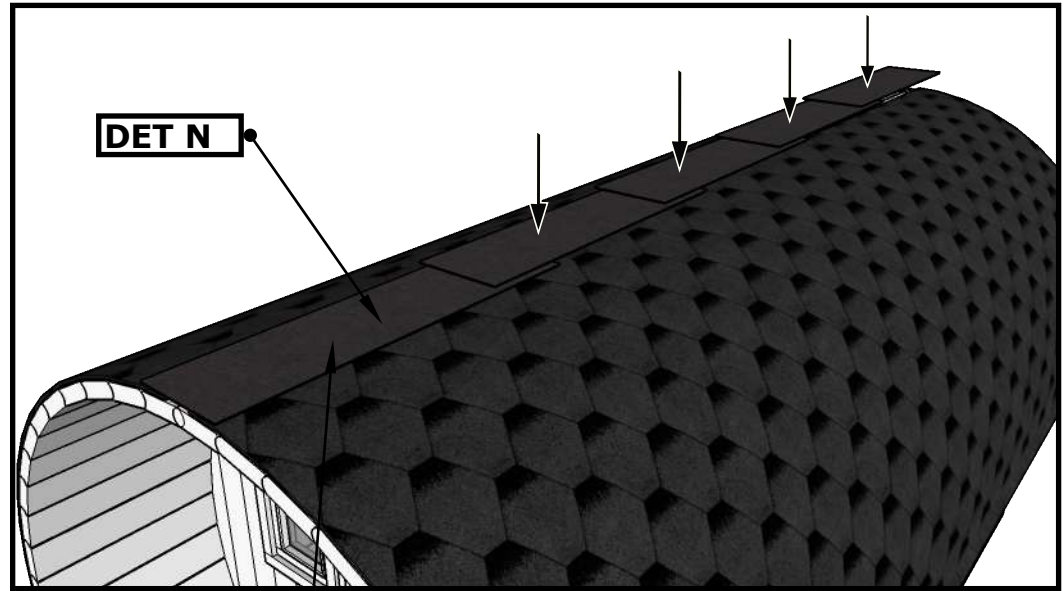


15.

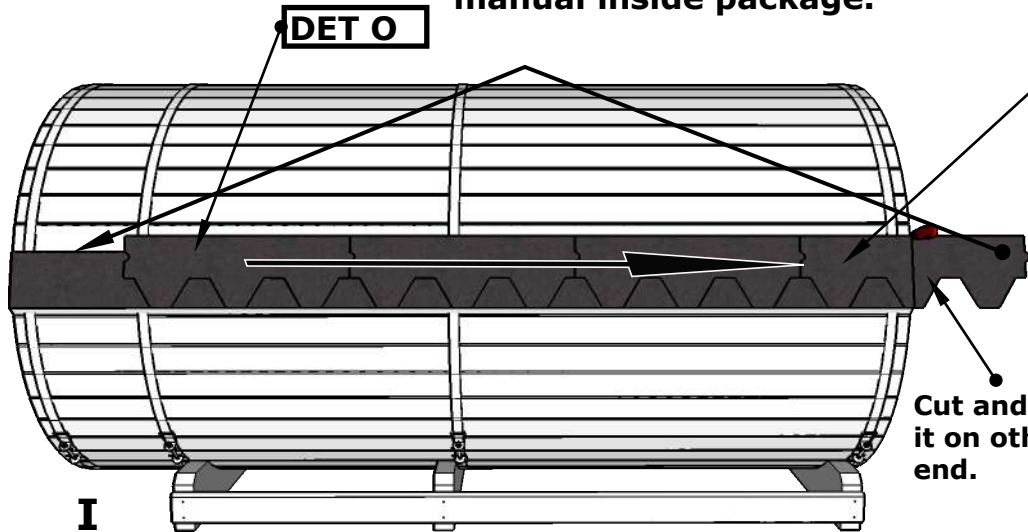
Camping 480, D 210



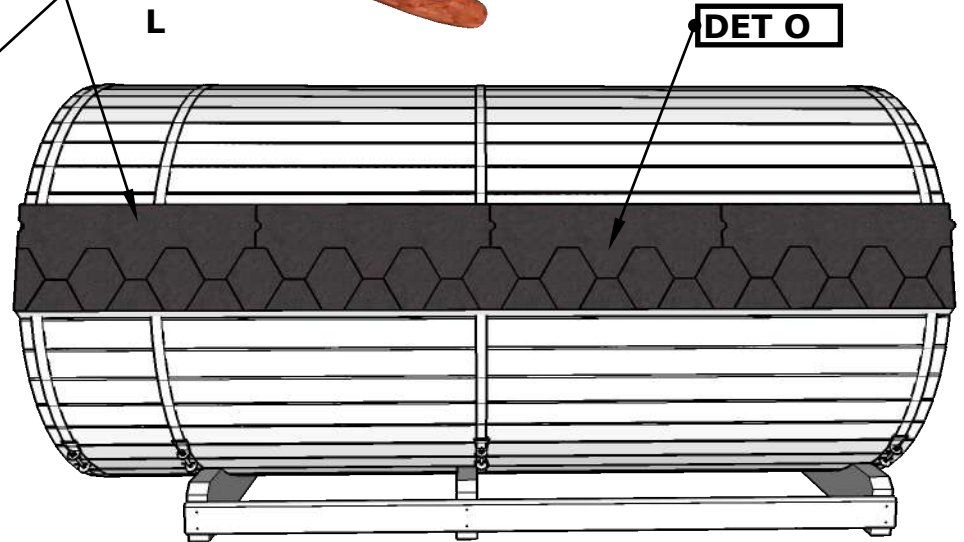
II



NB! Check also roof shingles installation manual inside package.



Cut and use it on other end.



Camping 480, D 210

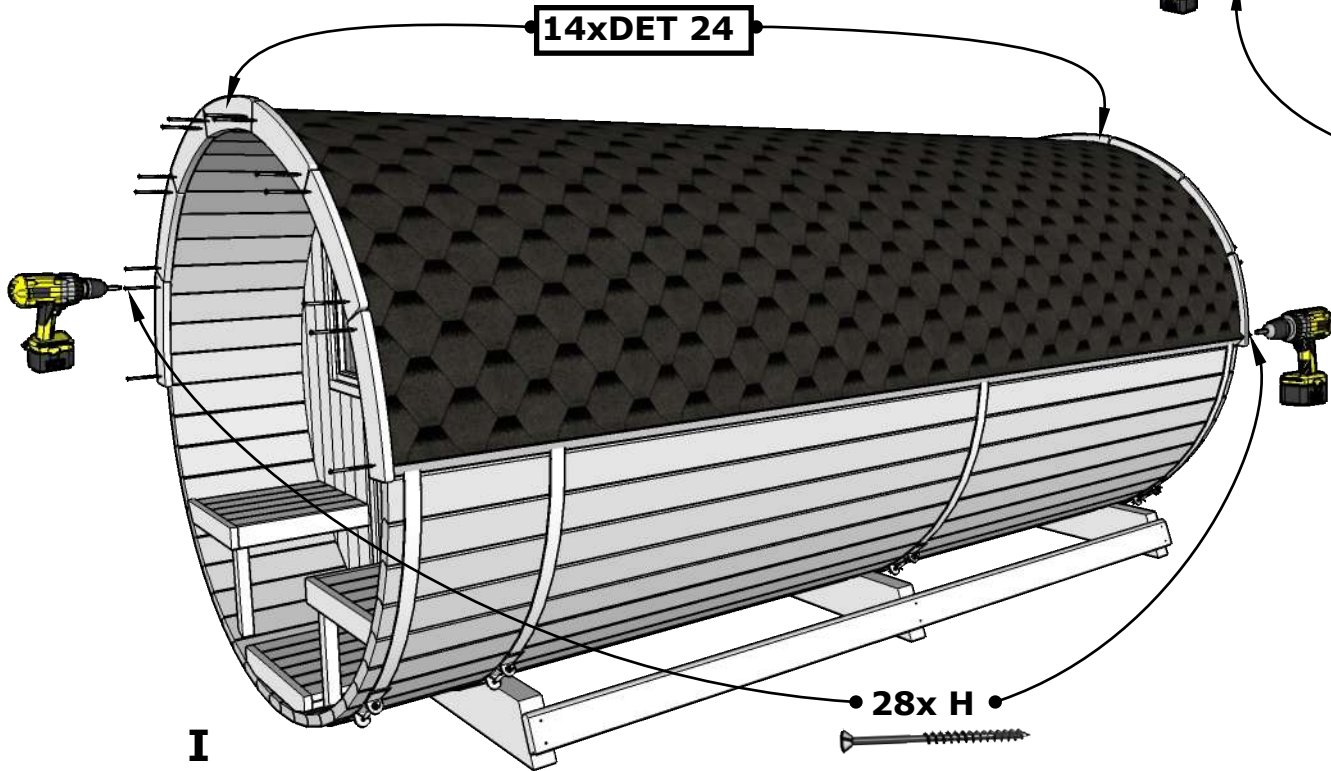


II



Remove
DET A

14xDET 24



28x H

I

17.